

1. Wall

- A. **Student Areas** – Always utilize block interior walls on new construction.
- B. **Administrative Areas** – Drywall is acceptable in low abuse areas.
- C. **Other Areas** – Utilize block walls whenever possible.
- D. **Drywall Areas** – Anywhere drywall is utilized blocking or backer plates must be installed for all fixtures.

2. Windows

- A. **Student Areas** – Utilize (maintenance friendly) windows similar to North and South Complex (No sliders).
- B. **Window Coverings** – All window coverings should be Mecho Shade. Preferred style is Mecho – Standard.

3. Roofing

- A. **Flat Roofs:** Utilize EDPM rubber.
- B. **Sloped Roofs:** Utilize Slate
- C. **Snow Guards:**
 - 1. Snow guards shall be installed on all sloped roofs.
 - 2. A three rail snow guard system shall be used.

- 4. **Railings** – Always utilize Aluminum railings (Inside and Outside). All freestanding railing should be installed by core drilling.

5. Ceiling

- A. **Ceiling Tile** – 2'x2' Armstrong #756A fissured 5/8." Any change to be approved by the Manager of Facility Maintenance.
- B. **Ceiling Tile** – 2'x4' Armstrong 895/915.

6. Floor Covering

- A. **Carpet** – Lees Duracolor MBH with unibond backing, direct glue installation or Wellco. (Selection MUST be approved by Manager of Facility Maintenance and the Manager of Campus Events.) Carpet may be UPGRADED to other Lees Duracolor Products, if application requires. Consider Lees Duracolor tiles (style and color to be selected by the College) in High-traffic areas, such as hallways, lobbies, bookstores, lounges, etc. or in areas with movable wall systems or cubicles. To be installed using manufacturers' specifications and adhesives only.
- B. **VCT** – 1/8" x 12" x 12". Final selection to be approved by Manager of Facility Maintenance and the Manager of Campus Events.
- C. **High-Traffic Areas** – Consider Armstrong Step Master tile or equal where slip/fall incidents may prevail. Coordinate with Manager of Facility Maintenance and the Manager of Campus Events prior to selection.
- D. **For high-traffic food service areas or other "wet" areas** such as dressing rooms, Etc.- Use Flotex (Lobo) flooring. Coordinate with Manager of Facility Maintenance and The Manager of Campus Events.
- E. **Student Rooms** – Carpet Tiles

- F. **Quarry Tile** – 6” non-slip. Dark, epoxy grout in all food services areas. Selection MUST be approved by Manager of Facility Maintenance and the Manager of Campus Events.
- G. **Ceramic Floor** Tile-Dark color group only. See Manager of Facility Maintenance and the Manager of Campus Events for final color selection.
- H. **Stair Treads** Use Concrete (similar to Boyer or Frey Halls)
- I. **Base**
 - 1. 4” Vinyl Cove-Mercer .080, unless otherwise stated.
 - 2. 12” Vinyl Kick Plates – All interior doors (optional). Push plates 6”x18”.
- J. **Surplus Materials** – Contractor to provide the following on completion of the job.
 - 1. Broadloom Carpet – provide 1% of total job. Carpet to be rolled on carpet tube and wrapped in plastic protection.
 - 2. Carpet Tiles – provide 2% of total job. Tile to be boxed in original cartons.
 - 3. VCT-1 carton for every 100 cartons ordered. Tile to be boxed in original cartons.
 - 4. Ceramic Materials – 1 carton for every 100 cartons used. Tile to be boxed as appropriate for storage.

7. **Interior Finishes**

A. **Paint**

- 1. **Interior – Semi-Gloss (No Flat Paint)**
 - a. On **CONCRETE** use:
 - a. First Coat – 43-11 pigmented masonry sealer
 - b. Two Finish Coats – 22 line semi-gloss
 - b. On **GYPHUM DRYWALL** use:
 - a. First Coat – 40-11 vinyl primer
 - b. Two Finish Coats – tuff walls satin finish.
 - c. In **Bathroom and Shower areas** – utilize Water proof and Mold resistant paint.

Note: Contact Building Maintenance for epoxy systems and urethane systems.

- d. **Exterior Paint Schedule (New Concrete, Stucco & Masonry)**
 - a. Base – 1 coat Southern #43-11 pigmented masonry sealer or 21-11 quick dry primer/sealer to prevent alkali burn.
 - b. Finish – 2 coats 10-line (100%) acrylic house paint, or 410 Line.

Note: If concrete block is used for the base, 20-11 block filler must be used, however, 20-11 block filler cannot be used on stucco and masonry.

B. **Wall and Corner Guards**

- 1. Chair rails desirable in all classrooms. Prefer high impact PVC 1/8” thick.
- 2. Consider chair rails and corner guards in all traffic areas.

- C. **Visual Display Boards** All chalkboards, whiteboards, bulletin boards and projection screens to be installed by contractor.
- D. **Specialty Covering** Wall coverings in wet kitchen areas to be Lasco Fiberglass 4'x8' wall panels; color coordinated with College.
- E. **Signage** All signs installed by contractor. See Manager of Facility Maintenance for standards.

8. **Kitchens and Bathrooms**

- A. **Toilet Compartments** In high student traffic rest rooms use only Santana Poly-Mar HD solid plastic toilet partitions with full-length continuous wall brackets.
- B. **Cabinets**: Utilize solid wood cabinets (No particle board).
- C. **Countertops**: Utilize solid material (similar to Corian) with molded backsplash.
- D. **Toilet & Bath Accessories**
 - 1. Paper Towel Dispensers – Kimberly Clark 9990. Units provided At No Cost to the College. Contact the Manager of Campus Events to order adequate amount.
 - 2. No Electric Hand Dryers.
 - 3. Waste Receptacles – Bobrick #277 Surface Mounted Stainless Steel in ALL restrooms. One per each paper towel dispenser, mounted directly under-neath.
 - 4. Liquid Soap Dispensers – Bobrick B-40 Surface mounted units in ALL restrooms. Soap dispensers are NOT to be placed directly over faucets.
 - 5. Toilet Tissue Dispensers/Sanitary Napkin Disposal Units:
 - a. Men's Rooms –
 - a. Use Kimberly Clark 9507 toilet paper dispensers.
 - b. Women's Rooms –
 - a. Use Kimberly Clark 9507 toilet paper dispensers.
 - b. Use Mason Norton Item #0473-1 or 0472-1 sanitary napkin disposal units.
 - c. Use Xpedx item 5057600 sanitary napkin dispenser J10 Trivendor w/ ADA handle (25c) in combination with Xpedx 2115607 Sanibag dispenser.
 - 6. Book/Hat Rack – Surface mounted Allstate wall rack #VOG-DL21-3-SG, Silver gray, steel, or equivalent in ALL restrooms. Provide blocking.
 - 7. Towel Bar – Heavy Duty
 - 8. Hanging Fixtures – All hanging fixtures (dispensers, partitions, hand bars, towel bars) must have reinforced blocking or backer plates.

9. **Rugs and Mats**

- A. **All entrance matting** (both exterior and interior) to be recessed mat systems. Coordinate with College.

B. Interior matting systems to be Coral, Anderson, or Lees.

1. High traffic areas to be minimum 12' long.
2. Medium traffic areas to be 8-10' long.
3. Low traffic areas to be sized according to use, but no less than 6' long.

C. Exterior matting systems

1. Areas exposed to direct rain to be "scraper" mats only. No absorbent materials).
2. Areas with overhangs may include UV stable absorbent textiles (i.e., drying mats).
3. Consider CoraDoor Primary Zone by Tuftron or Wearwell Deluxe Vinyl Link No. 103 (with square edges for recessed wells) by Tennessee Mat Company.

10. Exterior Entrances should have a "porch" roof.

A. Exterior

1. No Wood (T-111 Etc.)
2. Any Wood Trim (window, door, Fascia etc.) must be wrapped.

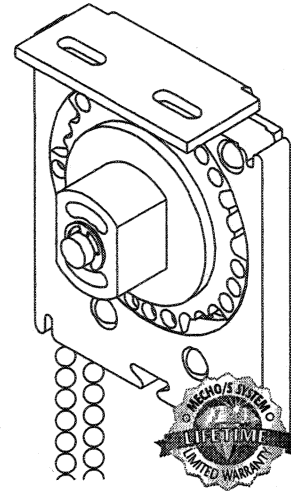
The MechoShade® Manual Drive System

Mecho®/5

Mecho®/5, MechoShade's latest patented design featuring an overrunning clutch, self lubricating components and larger diameter sprocket, providing 67% more lift capacity. As a result, Mecho/5 increases the shade size range that a manual drive system can lift before motorization is required. Plus, the Mecho/5 carries a **Lifetime* Limited Warranty** on the hardware and shadecloth.

Mecho/5 requires no adjustments, resulting in faster, easier installation. Mecho/5 has been field tested and performance proven on hundreds of thousands of shades installed worldwide. Available in Standard, Pocket Extended, Extended and DoubleShade® bracket sizes.

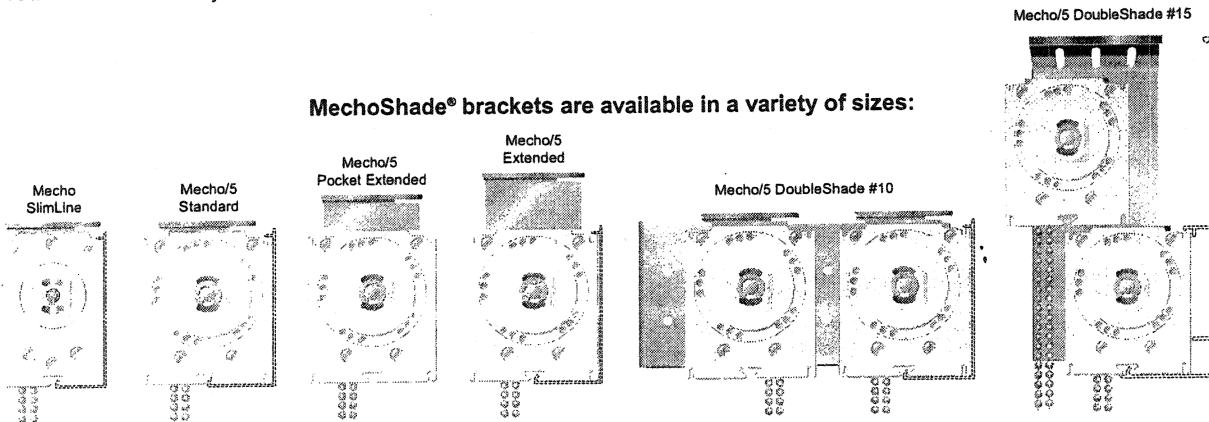
The Mecho/5 can accommodate shades up to 126" (320cm) wide by 180" (457cm) high.



Mecho® SlimLine™:

SlimLine™ is MechoShade's compact heavy-duty bracket system designed for small shades in narrow spaces, uses the Mecho®/3 operating system and carries a 10-Year Limited Warranty† on the hardware and shadecloth.

MechoShade® brackets are available in a variety of sizes:



Bracket Type	Max. Roll Diameter With Fascia	Max. Roll Diameter Without Fascia	Bracket Dimensions Without Optional Fascia, Roll Up Diameter or Wall Mount Bracket
Mecho® SlimLine™	2-1/4" (57mm)	2-3/4" (70mm)	2-3/8" (60mm) W x 3-3/4" (95mm) H
Mecho®/5 Standard	2-3/4" (70mm)	2-3/4" (70mm)	3" (76mm) W x 3-3/4" (95mm) H
Mecho®/5 Pocket Extended	N/A	4" (102mm)	3" (76mm) W x 4-3/8" (111mm) H
Mecho®/5 Extended	3-7/16" (87mm)	5" (127mm)	2-3/4" (70mm) W x 4-7/8" (124mm) H
Mecho®/5 DoubleShades®			
#10 Rear shade Blackout	2-3/4" (70mm)	2-3/4" (70mm)	7-1/2" (191mm) W x 3-3/4" (95mm) H
#10 Front shade Sunscreen	2-3/4" (70mm)	2-3/4" (70mm)	
#15 Top shade Blackout	2-3/4" (70mm)	3-3/8" (86mm)	2-3/4" (70mm) W x 7-5/16" (194mm) H
#15 Bottom shade SunScreen	2-3/4" (70mm)	4-5/16" (110mm)	

*Mecho/5 Lifetime Limited Warranty: for the life of the interior project, not to exceed 25 years. See pages 2.26 - 2.28 for specific details.

† See pages 2.26 - 2.28 for details.

MechoShade Systems, Inc.
42-03 35th Street, Long Island City, NY 11101
Telephone: 718-729-2020
Fax: 718-729-2941 / 800-899-8081

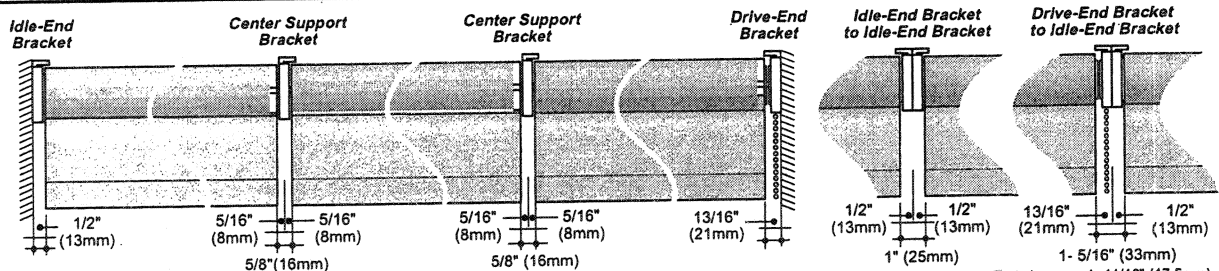
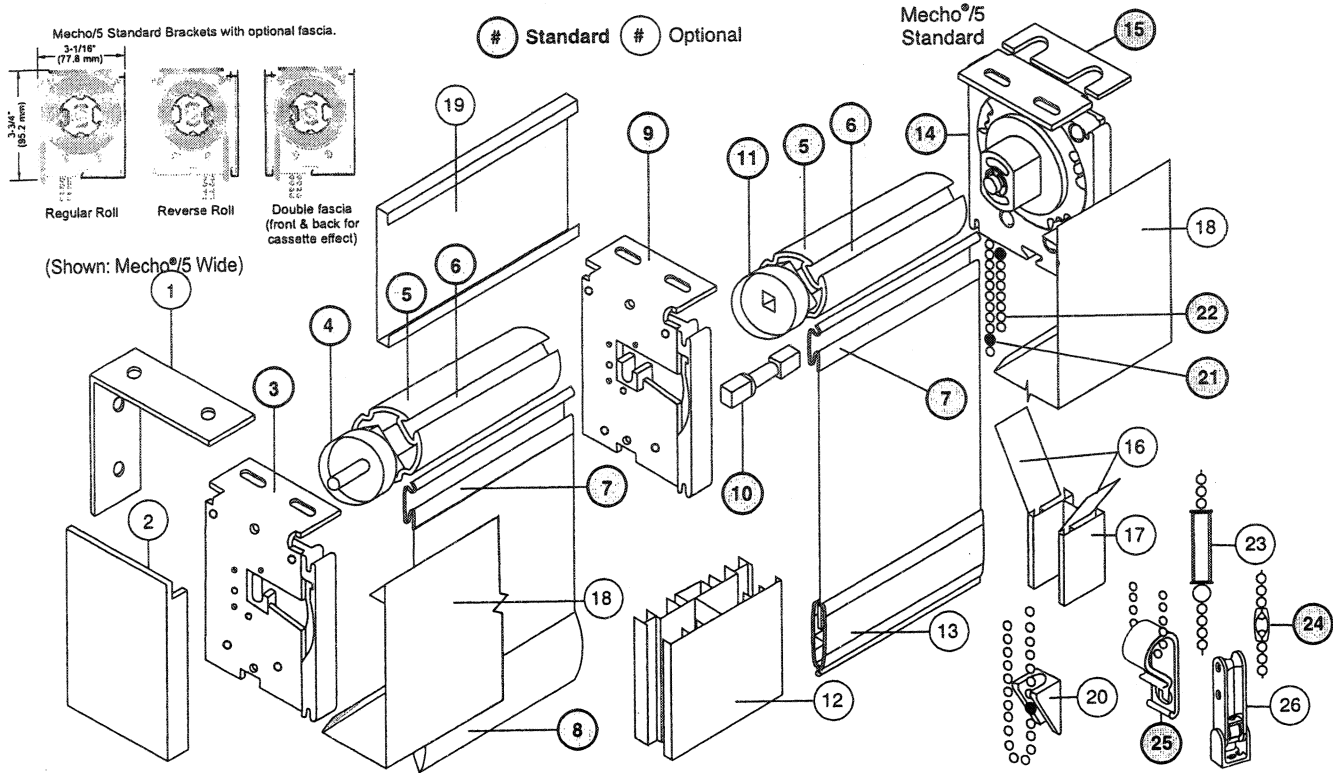
E-mail: info@mechoshade.com
Internet www.mechoshade.com

Kay & Sons, inc.
The Competitive Advantage in Shading Systems,
Window Treatments & Wall Coverings
Since 1922
56 Buttonwood Street • Norristown, PA 19401
Phone #: (610) 277-2720 • Fax #: (610) 277-2721



MechoShade® Parts, Components and Optional Accessories

Multiband MechoShade® exploded view and edge clearances



Edge clearances \pm 1/8" (3mm). Shown: A Mecho/5 3-banded shade, right-hand drive, regular roll, no fascia. Mecho SlimLine is the same except the Drive-End clearance is 11/16" (17.5mm)

MechoShades are available in a choice of two drive systems in multiple bracket sizes.

~~1. Wall Mount Angle~~

~~2. Fascia End Cap~~

~~3. Idle-End Bracket~~

~~4. Tube Plug (idle-end)~~

~~5. SnapLoc® Tube~~

~~6. SnapLoc Spline Mounting Channel~~

~~7. Snaploc Spline~~

~~8. Hembar (standard cloth covered)~~

~~9. Center Support Bracket~~

~~10. Tube Connector ("dog bone")~~

~~11. Tube Plug (Center Support)~~

~~12. Room-Darkening Center Channel (double)~~

~~13. Exposed Hember with Light Gear~~

~~14. Mecho®/5 Drive-End Bracket~~

~~15. Leveling Shim~~

~~16. Room-Darkening Chadooleth Guides (pair)~~

~~17. Room-Darkening Side Channel (single)~~

~~18. SnapLoc Regular-Roll Fascia~~

~~19. SnapLoc Reverse-Roll Fascia~~

~~20. Bead Chain Keeper~~

~~21. Upper and Lower Bead Chain Stops~~

~~22. Drive Chain (stainless-steel bead chain)~~

~~23. Heavy Duty Damper~~

~~24. Bead Chain Connector~~

~~25. Child Safe Chain Retainer*~~

~~26. Optional Child Safe Chain Retainer*~~

Aluminum Accessory Finishes:

Clear Anodized, White, Grey, Black,

Quaker Bronze (Duranodic color) and

Colonial White (fascia only)

* Child-Safe Chain Retainers included for all residential and public facilities.

Optional Regular-Roll Fascia available for: Mecho/5 Standard and Extended brackets and Mecho SlimLine™ brackets.
Optional Reverse-Roll Fascia available for: Mecho/5 Standard brackets. • No Fascia Available: Mecho/5 Pocket brackets.

For Edge Clearances of specific brackets see the last section of this binder.

MechoShade Systems, Inc.
42-03 35th Street, Long Island City, NY 11101
Telephone: 718-729-2020
Fax: 718-729-2941 / 800-899-8081

E-mail: info@
Internet We

Kay & Sons, inc.
The Competitive Advantage in Shading Systems,
Window Treatments & Wall Coverings
Since 1922

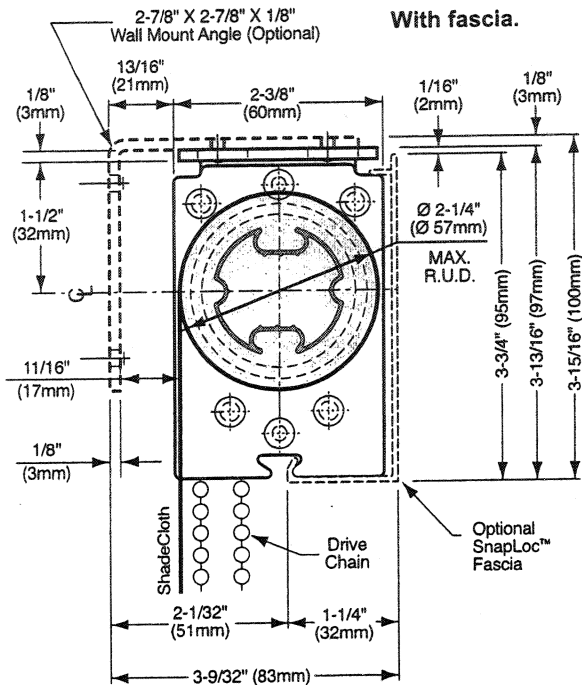
56 Buttonwood Street • Norristown, PA 19401
Phone #: (610) 277-2720 • Fax #: (610) 277-2721



MechoShade® Details

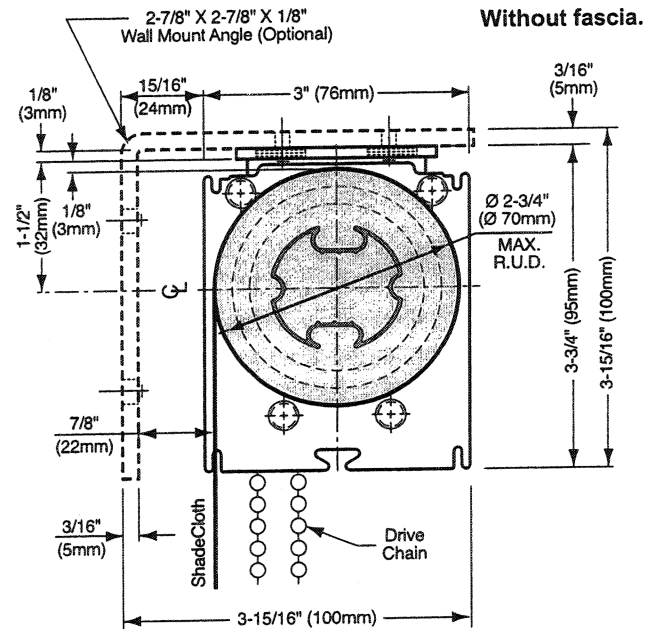
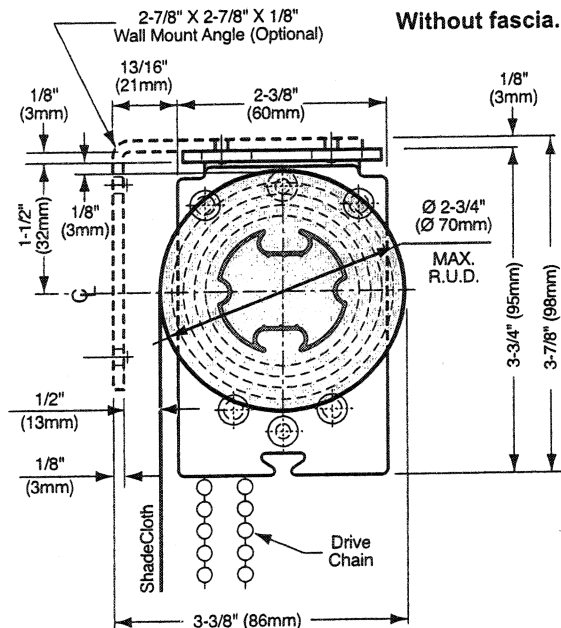
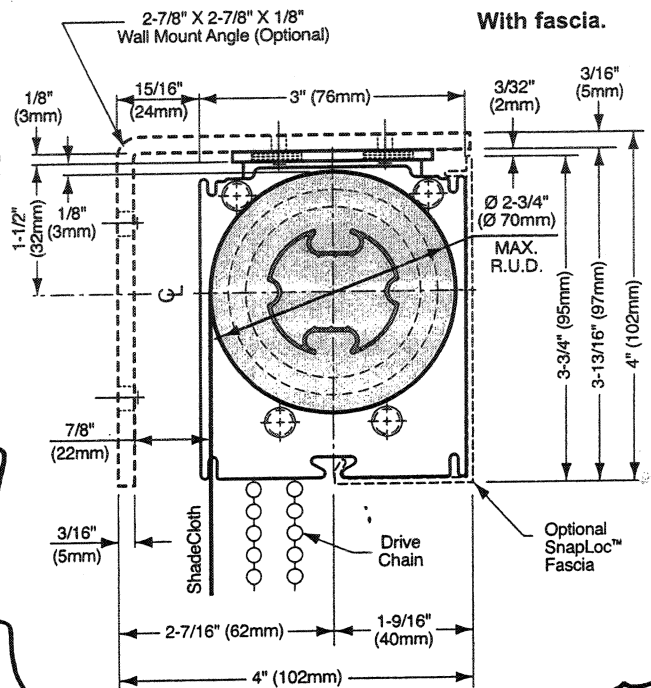
Mecho® SlimLine™ Bracket

Maximum roll up diameter:
 2-1/4" (57mm) with optional fascia,
 2-3/4" (70mm) without fascia.



Mecho® /5 Standard Bracket

Maximum roll up diameter:
 2-3/4" (70mm) with or without optional fascia.



See the MechoShade® Bracket Selection Guide on pages 2.7 - 2.11.

MechoShade Systems, Inc.
 42-03 35th Street, Long Island City, NY 11101
 Telephone: 718-729-2020
 Fax: 718-729-2941 / 800-899-8081

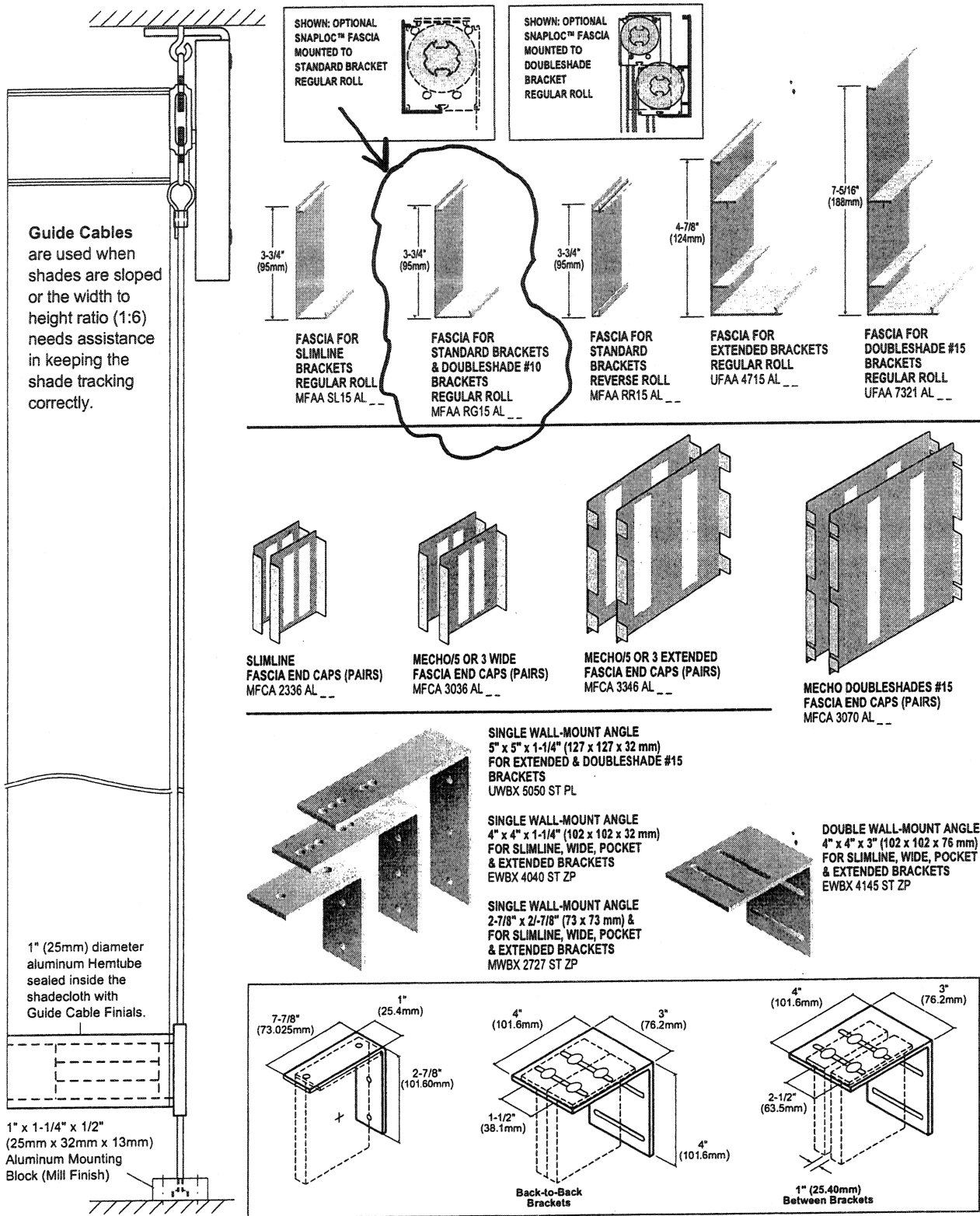
E-mail: info@
 Internet Wet

Kay & Sons, inc.
 The Competitive Advantage in Shading Systems,
 Window Treatments & Wall Coverings
 Since 1922

56 Buttonwood Street • Norristown, PA 19401
 Phone #: (610) 277-2720 • Fax #: (610) 277-2721



Other MechoShade® Components & Optional Accessories



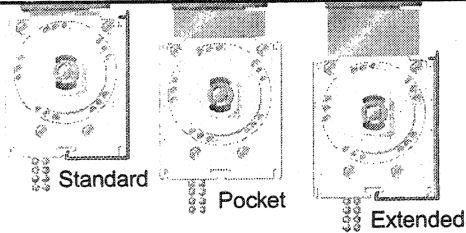
MechoShade Systems, Inc.
 42-03 35th Street, Long Island City, NY 11101
 Telephone: 718-729-2020
 Fax: 718-729-2941 / 800-899-8081

E-mail: info@mc
 Internet Web Site

Kay & Sons, inc.
 The Competitive Advantage in Shading Systems,
 Window Treatments & Wall Coverings
 Since 1922
 56 Buttonwood Street • Norristown, PA 19401
 Phone #: (610) 277-2720 • Fax #: (610) 277-2721

MechoShade® Hardware Features and Specifications

MECHO®/5



1. Mounting Brackets

The drive assembly, idle-end assembly, and center support systems are attached to an 1/8 in. (3mm) steel universal mounting bracket.

2. No Adjustment Necessary

Mecho®/5 drive-end bracket requires no adjustment, resulting in faster installations.

3. Braking

An overrunning clutch design that disengages to 90% during the raising and lowering of the shade and can withstand a pull force of 40 lbs. (18 kg). Recommended maximum lift shade-band 20 lbs. (9 kg).

4. Braking Surface:

The patented self-lubricating oil impregnated steel hub, on which the brake system is mounted, includes an articulated brake assembly which assures smooth, non-jerky operation in raising and lowering the shades.

5. Sprocket

A one-piece molded Delrin® chain sprocket.

6. Hardware

All hardware is available with a universal offset drive and left-hand or right-hand operations. The offset-drive chain assembly places both operating chains at the same location or to the rear of the shade cloth out of sight. The distance between the center line of the operating chain shall not exceed 1/2 in (13mm).

7. Tube Support

A Delrin® cover plate provides protection from the tube being dislocated. In the event the tube should be pushed out of

place, the Delrin end of the mounting plates contains the tube which may prevent the tube from falling out of the bracket.

8. Wide Spans

Depending on the height, weight and shade cloth specified, MechoShades can be made up to 12 feet wide or more. Call your local representative or MechoShade Systems technical support.

9. Interchange or replacement

Bracket components can be interchanged or replaced without having to remove the brackets from the walls or ceilings. This feature is included in both inside and outside mountings.

10. Component Quality

Plastic components are made of strong, dimensionally stable DuPont Delrin™. Not ABS/polystyrene or nylon.

11. Bracket Metal

Support brackets are plated 1/8 in. (3mm) steel. Custom colors are available on special order.

12. Narrow-Edge Clearances

Drive-end: 13/16 in. (21mm), idle-end: 1/2 in. (13mm), and center support: 5/16 in. (8mm).

13. Multi-Band Shade

A single drive bracket can handle two or more shade bands permitting a single operator to operate the shade, assuring simultaneous alignment of all the bands (within MSS recommended weight limits).

14. Faceted Window Installations

The offset drive permits up to a 12-degree (6°+ 6°) angle between any two shades with a single operator. By special

order only, up to six degrees each side maximum. Contact MechoShade Systems, Inc. for details.

15. Optional SnapLoc Fascia

SnapLoc® fascia shall be provided for standard and extended height brackets and center support brackets. Each bracket assembly permits the fascia to extend past the brackets, creating wall-to-wall fascia, with the brackets mounted inboard from the end of the fascia. SnapLoc fascia can be installed as a single unit over two or more shade band assemblies without exposed joints in lengths up to 15 ft. (457cm). SnapLoc fascia snaps on to the brackets without the use of glue, magnetic strips or any exposed fastening.

The fascia is made of extruded aluminum (hardness/alloy 6063T5) with an average thickness of .062 in. (1.6mm). The fascia is finished in PPG Duracon™ baked enamel in six standard colors plus clear aluminum.

16. Offset-Chain, No-Notch Fascia

The operating chain drops behind the return edge of the fascia without the necessity of notching or otherwise defacing the return leg of the fascia. The MechoShade® Wide, and Extended brackets accommodate fascia returns no less than 1-1/2 in. (38mm) (50%) from the front of the hardware fully concealing the roll and tube.

17. Shade Mounting

The SnapLoc® spline permits positive SnapLoc mounting and demounting of the shade cloth from the tube without having to remove the hardware, the tube or brackets and without the use of two-sided tape, staples or other fasteners.

MechoShade Systems, Inc.
42-03 35th Street, Long Island City, NY 11101
Telephone: 718-729-2020
Fax: 718-729-2941 / 800-899-8081

E-mail: inf@mechoshade.com
Internet W

Kay & Sons, inc.
The Competitive Advantage in Shading Systems,
Window Treatments & Wall Coverings
Since 1922
56 Buttonwood Street • Norristown, PA 19401
Phone #: (610) 277-2720 • Fax #: (610) 277-2721

Continued



emarks of

MechoShade® Hardware Features and Specifications

18. Non-Binding Regressed End Plug

The idle-end plug is fitted with a recess which prevents oversized tubes from being forced between brackets. This arrangement assures proper sizing and clearance between the tube and the brackets and minimizes light leaks.

19. End Brackets

Consist of 1/8 in. (3mm) thick sheet steel. Wall, jamb or ceiling mounted as required and permanently installed.

20. Center Support Brackets

For ceiling or wall mounted multibanded shades. Center support brackets shall accept continuous lengths of fascia, which will span two or more MechoShade bands. Minimum length 15 ft. (457cm).

21. Hembar Weights

Mill-finished aluminum bars in single lengths as appropriate for the size shade, concealed in a fabric hem pocket.

22. Optional Exposed Hembars

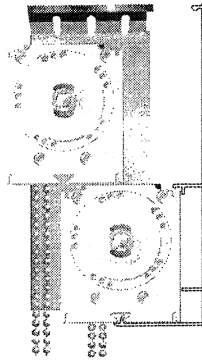
In painted and baked PPG finishes with key way for shades.

23. DualShade® System

The patented DualShade system, by MechoShade Systems, Inc., for installing both a ThermoVeil® sun screen together with either a room darkening shade cloth or MirroFilm™ attached to the same roller tube by means of the SnapLoc spline. The shade cloth and film shall be separated by 1/2 in. (13mm) of insulating air space.

24. DoubleShades®

A master mounting bracket assembly for drive-end, idle-end and center



MECHO® SLIMLINE

SlimLine™ is available in the Mecho/3 design and shares all the features of the Mecho/5 except for the following:

- 1. Mounting Brackets**
At 2-3/8 in. (60mm)W X 3-3/4 in. (95mm) H, the drive-end, idle-end and center supports become the smallest heavy-duty system available.
- 2. Variable Adjustment**
Adjustments can be made in the dynamic mode (free-falling adjustment) or in the static mode (infinite-stop adjustment).
- 3. Braking**
A linear disc brake, as opposed to a flat-steel backing plate, consists of a compression spring with two friction-absorbing nylon washers on a 1/4 in. (6mm) steel shaft. This design provides continuous uniform compensating brake pressure on the one-piece

sprocket-brake drive component. The compression spring also acts as a vibration absorber.

3.1. Non-Slip Disc-Brake Adjustment
A shake-proof steel and nylon vibration resistant locking nut is employed to maintain the desired braking friction. Once the desired brake force is applied, the adjustment nut will not require readjustment when slippage of the adjustment nut from vibration and weakening of the braking surfaces occur. The concealed brake-tension adjustment is not accessible to unauthorized personnel.

4. Braking Surface
The linear disc-brake system utilizes a minimum of 2.89 sq. in. of braking surface.

12. Narrow-Edge Clearances
Drive-end: 11/16 in. (17mm), idle-end: 1/2 in. (13mm), and center support: 5/16 in. (8mm).

supports to facilitate installation of two shades, front-to-back or top and bottom, with perfect alignment and minimum installation labor. DoubleShade® brackets have all the same features of the standard Mecho/5 bracket, plus allow both sun screen and blackout shades on a single bracket. DoubleShade's compact size allow two shades to fit in a smaller room projection than two individually installed shades on the same window.

25. Warranty

Failure of any part or component shall be replaced at no charge, subject to warranty conditions. The drive chain is a fail safe component that is designed to break in two at 60-90 lbs. (27-41 kg) of shock and is not covered by the warranty. The chain may be quickly repaired or spliced on site by maintenance personnel in minutes. (Contact MechoShade Systems for warranty terms and conditions.)

MechoShade Systems, Inc.
42-03 35th Street, Long Island City, NY 11101
Telephone: 718-729-2020
Fax: 718-729-2941 / 800-899-8081

E-mail: info@mech
Internet Web Site.

Kay & Sons, inc.
The Competitive Advantage in Shading Systems,
Window Treatments & Wall Coverings
Since 1922
56 Buttonwood Street • Norristown, PA 19401
Phone #: (610) 277-2720 • Fax #: (610) 277-2721

.....mechshade.com

2.21
MS2200-01/04



M&B PAINTS**Product Data**

Rich Lux Eggshell Latex Enamel

(Acrylic Latex)

Code: 029 Line
029128 Bone White
029150 Classic White Base
029191 Accent Base
029194 Deep Base
029197 Medium Base
For Interior Use Only

Description

A superior, spatter resistant, eggshell enamel which provides a classic low sheen on walls, architectural woodwork, cabinets, doors, trim and other interior surfaces. The washable, non-yellowing finish is ideal for offices, hallways and other areas that are frequently cleaned. Can be applied to any interior surface such as drywall, plaster, masonry or wood.

Technical Data

Theoretical Coverage	560
(sq. ft. per gal. per dry mil)	
Recommended DFT per coat	1.2-1.6 mils
Gloss	Eggshell 60' - B +/- 2
Wt/Gallon	10.9 ± 0.15 lbs.
Viscosity	95 ± 5 K.U.
Solids by Wt.	50 ± 2%
by Vol.	35 ± 2%
VOC as supplied	1.2 lbs/gal - 140 gms/L
OTC Compliant	
Flash Point (SETA)	None
Color Quest	P, M, D, A

A Color Quest Designer Base System is available for deeper colors.

Packaging Quart, Gallon, Five Gallon
Values are reported for white paint and will vary depending on color. These values do not constitute specifications.

Surface Preparation

Clean surfaces thoroughly to remove dirt, grease, oil, powdering plaster, glue size or paste and other surface contaminants that might impair adhesion. Sand hard or glossy surfaces. Remove loose, peeling paint and sand edges smooth. Remove sanding dust. Spackle nail holes and cracks; sand and "touch-up" before finishing. Avoid abrading drywall face paper. Remove rust/scale from ferrous metal. Seal water soluble stains with Super Bond Primer (036-158) or Lok Tite Acrylic Primer and Stain Sealer (056-159). Seal knots and sap streaks with Lok Tite Acrylic Primer and Stain Sealer.

Painting Instructions

DRYWALL or PLASTER (UNPAINTED): Apply two coats of Rich Lux Eggshell Latex Enamel.

New plaster must cure at least 30 days. Some drywall sheets can be excessively porous causing non-uniform paint appearance (picture framing). To test for porosity, sprinkle the drywall with water. If readily absorbed, prime with Rich Lux Latex Sealer/Undercoater (037-154) or Prime Fast (037-138).

For the following unpainted surfaces, prime as indicated and finish with one or two coats of Rich Lux Eggshell Latex Enamel.

CONCRETE BLOCK (CMU): Fill voids with Block Kote.

WOOD: Rich Lux Latex Sealer/Undercoater (037-154)

METAL: FERROUS- Rust-O-Lastic Anti-Corrosive Primer (073-110)

GALVANIZED or ALUMINUM- Hydro Prime (073-189)

PREVIOUSLY PAINTED SURFACES: Spot or full prime as needed and finish with 1 or 2 coats of Rich Lux Eggshell Latex Enamel.

Mixing/Stirring

Stir thoroughly with a spiral up and down motion at intervals.

Thinning

BRUSH or ROLLER: If necessary, thin with water up to 4 oz. per gallon.

AIRLESS SPRAY: Not required.

Tinting

White 029-150 - Up to 2 oz. per gallon

Medium Base 029-197 - Up to 6 oz. per gallon

Deep Base 029-194 - Up to 8 oz. per gallon

Accent Base 029-191 - Up to 12 oz. per gallon

Store will use appropriate colorants and amounts.

RESUBMITTAL 99132-01

APPROVED FOR ARCHITECTS & ENGINEERS REVIEW

APPROVED

APPROVED AS NOTED

APPROVED AS CORRECTED

REVISE AND RESUBMIT

NOT APPROVED

B-24


REMARKS:

MID STATE, INC.

Date 12-5-01 By R R

Rich Lux Eggshell Latex Enamel - 029 Line

Application

Apply carefully by brush, roller or airless spray. If rolling, apply in a zig zag pattern - . Then lay off in one direction to spread the paint evenly. Use proper M.A.B. synthetic bristle brush, roller cover, or edge painter. Avoid over-spreading, keep a "wet edge" and do not "touch up" or roll back into partially dry paint. Remove spots and drips immediately with damp cloth.

Brush: High Quality Nylon/Polyester; any width
Roller: High Quality 3/8" or 1/2" nap woven cover;
Airless Spray: 1/3 gpm pump or larger; tips 13-17; 3, 4, 5 orifice

Recommended Spread Rate

Approximately 320 - 420 sq. ft. per gallon. Rough or porous surfaces require more paint.

Clean Up

Clean tools and spray equipment immediately with a warm detergent solution and rinse thoroughly with clean water. Flush spray equipment with Paint Thinner to prevent rusting. If paint becomes dry, soak tools in Brush Cleaner according to label directions.

Drying Time

(@ 70°F and 50% Relative Humidity)
To Touch: 1/2 hour To Recoat: 4 - 6 hours
(During humid weather allow additional drying time.)

Special Information

- Intermix different batches of standard colors or multiple cans of custom colors. Always test apply a small area to verify color.
- Do not apply if air or surface temperature is below 50°F or if condensation is present. **Keep paint from freezing.**
- Not recommended over wallpaper. Vinyl wallcovering can lose adhesion through age or from new or previous paint applications. If questionable, remove the covering and wash off glue size or paste.
- To assure color uniformity, always paint to a natural "break" or the end of a wall or ceiling.
- After paint is dry, if "touch-up" is necessary, use the same tool (brush, roller, spray) and paint as in the first application. Foam brushes also work well.
- Before washing soil from painted areas allow 14 days drying time. Use a sponge with a warm, mild, non-abrasive detergent solution. Apply in a light circular motion from bottom to top. Rinse with clean water. Do not use spray cleaners.

Right-To-Know and Safety Information

Container labeling complies with applicable State Right-To-Know Acts. For information regarding the potential hazards associated with this product, please refer to the Material Safety Data Sheet (MSDS).

20 Year Warranty

For 20 years from date of application, when applied and cared for according to label directions, MAB Paints warrants this paint to be durable, washable and fade resistant.

- If this paint fails to perform as stated, MAB Paints will furnish an equivalent amount of new paint at no cost or refund the purchase price upon proof of purchase.
- This warranty excludes labor or the cost of labor for the application of any paint.
- This warranty gives you specific legal rights and you also may have other rights, which vary from state-to-state.

Review is only for conformance with the design concept of the Project and compliance with the information given in the Contract Documents. Contractor is responsible for dimensions to be confirmed at the job site; for information that pertains solely to the fabrication process or to techniques of construction; verification of quantities and for coordination of the work of all trades.

Date 1/16/06 By SA

SMB&R, Inc.

<input checked="" type="checkbox"/> Approved	<input type="checkbox"/> Rejected
<input type="checkbox"/> Approved as Noted	<input type="checkbox"/> Revise and Resubmit

B-24

MAB PAINTS

M. A. Bruder and Sons, Incorporated

Executive Offices: 600 Reed Road, Broomall, PA 19008
(800)MAB-1899; www.mabpaints.com

Regional Offices: 720 Central Florida Pkwy., Orlando, FL 32824
630 North 3rd St., Terre Haute, IN 47808

Manufacturing Facilities: Philadelphia, PA; Terre Haute, IN; Orlando, FL