
INSTALLATION INSTRUCTIONS AND OWNER'S MANUAL

Top Mount Refrigerator

Do Not Throw Away — Additional important safety information included.

Para las instrucciones en español, visite nuestro sitio de internet.

INSTRUCTIONS D'INSTALLATION ET MANUEL D'UTILISATION

Réfrigérateur superposé

Ne pas jeter — Autres consignes de sécurité importantes ci-jointes.

Table of Contents / Table des matières

REFRIGERATOR SAFETY	2	SÉCURITÉ DU RÉFRIGÉRATEUR	16
Proper Disposal of Your Old Refrigerator.....	3	Mise au rebut appropriée de votre vieux réfrigérateur.....	17
INSTALLATION INSTRUCTIONS	3	INSTRUCTIONS D'INSTALLATION	17
Unpack the Refrigerator.....	3	Déballage du réfrigérateur	17
Location Requirements.....	4	Exigences d'emplacement	18
Electrical Requirements	4	Spécifications électriques.....	18
Water Supply Requirements.....	4	Spécifications de l'alimentation en eau.....	18
Connect the Water Supply.....	5	Raccordement de la canalisation d'eau.....	19
Refrigerator Doors.....	6	Portes du réfrigérateur.....	20
Reversibility Kit Instructions.....	11	Instructions pour l'ensemble d'inversion du sens d'ouverture.....	25
Adjust the Doors	11	Ajustement des portes.....	25
REFRIGERATOR FEATURES	12	CARACTÉRISTIQUES DU RÉFRIGÉRATEUR	26
Refrigerator Shelves.....	12	Tablettes du réfrigérateur	26
Deli Drawer	12	Tiroir pour spécialités alimentaires	26
Crisper	12	Bac à légumes	26
FREEZER FEATURES	13	CARACTÉRISTIQUES DU CONGÉLATEUR	27
Wire Freezer Shelf	13	Tablette métallique du congélateur	27
Glass Freezer Shelf	13	Tablette en verre du congélateur.....	27
DOOR FEATURES	14	CARACTÉRISTIQUES DE LA PORTE	28
Door Rails.....	14	Tringles de porte	28
Door Bins.....	14	Balconnets de porte	28
Utility Compartment.....	14	Compartiment utilitaire	28
BRAND BADGE PLACEMENT TEMPLATE	BACK COVER	GABARIT DE POSITIONNEMENT DE L'INSIGNE DE LA MARQUE	COUVERTURE ARRIÈRE

REFRIGERATOR SAFETY

Your safety and the safety of others are very important.

We have provided many important safety messages in this manual and on your appliance. Always read and obey all safety messages.



This is the safety alert symbol.

This symbol alerts you to potential hazards that can kill or hurt you and others.

All safety messages will follow the safety alert symbol and either the word "DANGER" or "WARNING."

These words mean:

⚠ DANGER

You can be killed or seriously injured if you don't immediately follow instructions.

⚠ WARNING

You can be killed or seriously injured if you don't follow instructions.

All safety messages will tell you what the potential hazard is, tell you how to reduce the chance of injury, and tell you what can happen if the instructions are not followed.

IMPORTANT SAFETY INSTRUCTIONS

WARNING: To reduce the risk of fire, electric shock, or injury to persons when using the refrigerator, follow basic precautions, including the following:

- Plug into a grounded 3 prong outlet.
- Do not remove ground prong.
- Do not use an adapter.
- Do not use an extension cord.
- Disconnect power before servicing.
- Replace all parts and panels before operating.
- Remove doors from your old refrigerator.
- Use nonflammable cleaner.
- Keep flammable materials and vapors, such as gasoline, away from refrigerator.
- Use two or more people to move and install refrigerator.
- Disconnect power before installing ice maker (on ice maker kit ready models only).

SAVE THESE INSTRUCTIONS

State of California Proposition 65 Warnings:

WARNING: This product contains one or more chemicals known to the State of California to cause cancer.

WARNING: This product contains one or more chemicals known to the State of California to cause birth defects or other reproductive harm.

Proper Disposal of Your Old Refrigerator

⚠️ WARNING

Suffocation Hazard

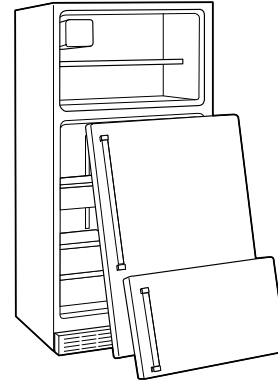
Remove doors from your old refrigerator.

Failure to do so can result in death or brain damage.

IMPORTANT: Child entrapment and suffocation are not problems of the past. Junked or abandoned refrigerators are still dangerous – even if they will sit for “just a few days.” If you are getting rid of your old refrigerator, please follow these instructions to help prevent accidents.

Before You Throw Away Your Old Refrigerator or Freezer:

- Take off the doors.
- Leave the shelves in place so that children may not easily climb inside.



Important information to know about disposal of refrigerants:

Dispose of refrigerator in accordance with Federal and Local regulations. Refrigerants must be evacuated by a licensed, EPA certified refrigerant technician in accordance with established procedures.

INSTALLATION INSTRUCTIONS

Unpack the Refrigerator

⚠️ WARNING

Excessive Weight Hazard

Use two or more people to move and install refrigerator.

Failure to do so can result in back or other injury.

When Moving Your Refrigerator:

Your refrigerator is heavy. When moving the refrigerator for cleaning or service, be sure to cover the floor with cardboard or hardboard to avoid floor damage. Always pull the refrigerator straight out when moving it. Do not wiggle or “walk” the refrigerator when trying to move it, as floor damage could occur.

Remove the Packaging

- Remove tape and glue residue from surfaces before turning on the refrigerator. Rub a small amount of liquid dish soap over the adhesive with your fingers. Wipe with warm water and dry.

NOTE: Do not use sharp instruments, rubbing alcohol, flammable fluids, or abrasive cleaners to remove tape or glue. These products can damage the surface of your refrigerator. For more information, see “Refrigerator Safety.”

- Dispose of/recycle all packaging materials.

IMPORTANT: Do not remove the white foam air return insert that is located behind the control panel on the ceiling of the refrigerator (on some models). The insert is part of the refrigerator and not part of the packing material. If the insert is removed, ice may migrate down from the freezer and cause icicles to form.

Clean Before Using

After you remove all of the package materials, clean the inside of your refrigerator before using it. See the cleaning instructions in “Refrigerator Care.”

Important information to know about glass shelves and covers:

Do not clean glass shelves or covers with warm water when they are cold. Shelves and covers may break if exposed to sudden temperature changes or impact, such as bumping. Tempered glass is designed to shatter into many small, pebble-size pieces. This is normal. Glass shelves and covers are heavy. Use both hands when removing them to avoid dropping.

Location Requirements

⚠ WARNING



Explosion Hazard

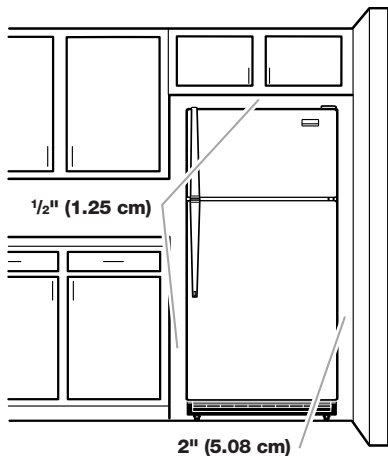
Keep flammable materials and vapors, such as gasoline, away from refrigerator.

Failure to do so can result in death, explosion, or fire.

IMPORTANT: This refrigerator is designed for indoor household use only.

To ensure proper ventilation for your refrigerator, allow for ½" (1.25 cm) of space on each side and at the top. Allow for 1" (2.54 cm) of space behind the refrigerator. If your refrigerator has an ice maker, allow extra space at the back for the water line connections. When installing your refrigerator next to a fixed wall, leave a 2" (5.08 cm) minimum space on the hinge side (some models require more) to allow the door to swing open.

NOTE: This refrigerator is intended for use in a location where the temperature ranges from a minimum of 55°F (13°C) to a maximum of 110°F (43°C). The preferred room temperature range for optimum performance, which reduces electricity usage and provides superior cooling, is between 60°F (15°C) and 90°F (32°C). It is recommended that you do not install the refrigerator near a heat source, such as an oven or radiator.



Electrical Requirements

⚠ WARNING



Electrical Shock Hazard

Plug into a grounded 3 prong outlet.

Do not remove ground prong.

Do not use an adapter.

Do not use an extension cord.

Failure to follow these instructions can result in death, fire, or electrical shock.

Before you move your refrigerator into its final location, it is important to make sure you have the proper electrical connection.

Recommended Grounding Method

A 115 volt, 60 Hz, AC only, 15- or 20-amp fused, grounded electrical supply is required. It is recommended that a separate circuit serving only your refrigerator be provided. Use an outlet that cannot be turned off by a switch. Do not use an extension cord.

NOTE: Before performing any type of installation or cleaning, or removing a light bulb, turn cooling off or turn the control (Thermostat, Refrigerator or Freezer Control depending on the model) to OFF, and then disconnect the refrigerator from the electrical source. When you are finished, reconnect the refrigerator to the electrical source and turn cooling on or reset the control (Thermostat, Refrigerator or Freezer Control depending on the model) to the desired setting. See "Using the Controls" in the User Instructions, User Guide, or Use & Care Guide.

Water Supply Requirements

Read all directions before you begin.

Gather the required tools and parts before starting installation. Read and follow the instructions provided with any tools listed here.

Tools Needed: Flat-blade screwdriver, 7/16" and 1/2" Open-end wrenches or 2 Adjustable wrenches, 1/4" Nut driver and drill bit, Cordless drill.

IMPORTANT:

- If you turn on the refrigerator before the water line is connected, turn OFF the ice maker.
- All installations must meet local plumbing code requirements.
- Use copper tubing and check for leaks. Install copper tubing only in areas where the household temperatures will remain above freezing.

NOTE: Your refrigerator dealer has a kit available with a 1/4" (6.35 mm) saddle-type shutoff valve, a union, and copper tubing. Before purchasing, make sure a saddle-type valve complies with your local plumbing codes. Do not use a piercing-type or 3/16" (4.76 mm) saddle valve which reduces water flow and clogs more easily.

Water Pressure

IMPORTANT: A cold water supply with water pressure between 30 and 120 psi (207 and 827 kPa) is required to operate the ice maker.

NOTE: If the water pressure is less than what is required, ice cubes could be hollow or irregular shaped.

If you have questions about your water pressure, call a licensed, qualified plumber.

Reverse Osmosis Water Supply

If a reverse osmosis water filtration system is connected to your cold water supply, the water pressure to the reverse osmosis system needs to be a minimum of 40 to 60 psi (276 to 414 kPa).

If the ice maker is still not operating properly:

- Check to see whether the sediment filter in the reverse osmosis system is blocked. Replace the filter if necessary.
- Allow the storage tank on the reverse osmosis system to refill after heavy usage.

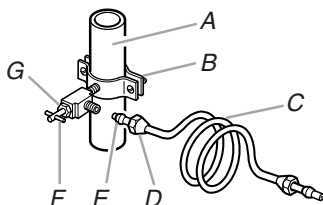
Connect the Water Supply

Read all directions before you begin.

IMPORTANT: If you turn ON the refrigerator before the water line is connected, turn OFF the ice maker.

Connect to Water Line

1. Unplug refrigerator or disconnect power.
2. Turn OFF main water supply. Turn ON nearest faucet long enough to clear line of water.
3. Locate a ½" to 1¼" (1.25 cm to 3.18 cm) vertical cold water pipe near the refrigerator.
IMPORTANT:
 - Make sure it is a cold water pipe.
 - Horizontal pipe will work, but drill on the top side of the pipe, not the bottom. This will help keep water away from the drill and normal sediment from collecting in the valve.
4. Determine the length of copper tubing you need. Measure from the connection on the lower left rear of refrigerator to the water pipe. Add 7 ft (2.1 m) to allow for cleaning. Use ¼" (6.35 mm) O.D. (outside diameter) copper tubing. Be sure both ends of copper tubing are cut square.
5. Using a cordless drill, drill a ¼" hole in the cold water pipe you have selected.



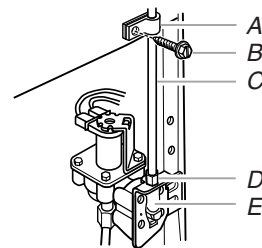
A. Cold water pipe
B. Pipe clamp
C. Copper tubing
D. Compression nut
E. Compression sleeve
F. Shutoff valve
G. Packing nut

6. Fasten the shutoff valve to the cold water pipe with the pipe clamp. Be sure the outlet end is solidly in the ¼" drilled hole in the water pipe and that the washer is under the pipe clamp. Tighten the packing nut. Tighten the pipe clamp screws slowly and evenly so washer makes a watertight seal. Do not overtighten or you may crush the copper tubing.

7. Slip the compression sleeve and compression nut on the copper tubing, as shown. Insert the end of the tubing into the outlet end squarely as far as it will go. Screw compression nut onto outlet end with adjustable wrench. Do not overtighten.
8. Place the free end of the tubing in a container or sink, and turn ON the main water supply. Flush the tubing until water is clear. Turn OFF the shutoff valve on the water pipe. Coil the copper tubing.

Connect to Refrigerator

1. Unplug refrigerator or disconnect power.
2. Attach the copper tubing to the valve inlet using a compression nut and sleeve, as shown. Tighten the compression nut. Do not overtighten.
3. Use the tube clamp on the back of the refrigerator to secure the tubing to the refrigerator, as shown. This will help avoid damage to the tubing when the refrigerator is pushed back against the wall.
4. Turn shutoff valve ON.
5. Check for leaks. Tighten any connections (including connections at the valve) or nuts that leak.



A. Tube clamp
B. Tube clamp screw
C. Copper tubing
D. Compression nut
E. Valve inlet

6. The ice maker is equipped with a built-in water strainer. If your water conditions require a second water strainer, install it in the ¼" (6.35 mm) water line at either tube connection. Obtain a water strainer from your nearest appliance dealer.

Complete the Installation

⚠ WARNING



Electrical Shock Hazard

Plug into a grounded 3 prong outlet.

Do not remove ground prong.

Do not use an adapter.

Do not use an extension cord.

Failure to follow these instructions can result in death, fire, or electrical shock.

1. Plug into a grounded 3 prong outlet.

NOTE: Allow 24 hours to produce the first batch of ice. Discard the first three batches of ice produced. Allow 3 days to completely fill ice container.

Refrigerator Doors

Tools Needed:

- 5/16" Hex-head socket wrench
- 5/16" Open-end wrench
- #2 Phillips screwdriver
- Flat 2" putty knife
- Flat-blade screwdriver

IMPORTANT:

- Before you begin, turn the refrigerator control OFF. Unplug refrigerator or disconnect power.
- Remove food and adjustable door or utility bins from doors.
- If you are only removing and replacing the doors, see the "Remove Doors and Hinges" and "Replace Doors and Hinges" sections.
- Depending on your model, you may have standard (**Style 1**) or contoured (**Style 2**) doors. If you are also going to reverse the door swing, follow the instructions for the appropriate door style.
NOTE: A Reversibility Kit, which includes a new Brand Badge and hole covers, is available.
- All graphics referenced in the following instructions are included later in this section after "Final Steps."

Remove Doors and Hinges



5/16" Hex-head Hinge Screw

1. Unplug refrigerator or disconnect power.
2. Close the refrigerator door and keep both doors closed until you are ready to lift them free from the cabinet.
NOTE: Provide additional support for the doors while the hinges are being moved. Do not depend on the door magnets to hold the doors in place while you are working.
3. Remove the parts for the top hinge, as shown in Top Hinge graphic. Lift the freezer door free from the cabinet.
4. Remove the parts for the center hinge, as shown in the Center Hinge graphic. Lift the refrigerator door free from the cabinet.
5. Remove base grille from the bottom front of the refrigerator.
6. Remove the parts for the bottom hinge, as shown in the Bottom Hinge graphic.

Reverse Doors (optional)

IMPORTANT: If you want to reverse your doors so that they open in the opposite direction, follow these steps. If you are not reversing the doors, see "Replace Doors and Hinges."

Style 1 - Standard Door Models

Graphics follow these instructions.



Door Stop Screw



Door Handle Hole Plug



Door Handle Sealing Screw



Door Hinge Hole Plug



Flat-Head Handle Screw



Cabinet Hinge Hole Plug



Dome Cap



Dome Cap Washer

Cabinet

1. Remove the three dome caps and the screws from handle side and move them to opposite side. See Graphic 1-1.
2. Remove cabinet hinge hole plugs from cabinet top and move them to opposite side hinge holes, as shown. See Graphic 1-2.

Freezer Door

1. Remove the screw cover. See Graphic 2.
2. Remove the freezer handle assembly, as shown. Keep all parts together. See Graphic 2.
3. Remove door hinge hole plug from freezer door. Move to opposite side hinge hole, as shown. See Graphic 3.
4. Remove the brand badge using the plastic tool (provided). Replace it with the badge provided in the Reversibility Kit located inside the crisper drawer. For proper placement, see the Brand Badge Placement template (the last page of this manual).

NOTES:

- To avoid scratching the finish, do not use a sharp or metallic object to pry the brand badge from the door.
 - Rub a small amount of liquid dish soap over any adhesive residue with your fingers. Rinse the door with warm water and dry with a soft cloth.
5. Remove door stop. Move to opposite side of refrigerator door, as shown. See Graphic 5.
 6. Position freezer handle on opposite side of the freezer door, as shown. See Graphic 2. First, drive the bottom two screws into handle. Align upper portion of handle and drive top screw into handle.
 7. Tighten all screws. Set aside door until hinges and refrigerator compartment door are in place.
 8. Replace screw cover. See Graphic 2.

Refrigerator Door

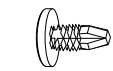
1. Remove the screw cover. See Graphic 6.
2. Remove refrigerator handle assembly, as shown. Keep all parts together. See Graphic 6.
3. Remove door hinge hole plug from refrigerator door. Move to opposite side hinge hole, as shown. See Graphic 3.
4. Remove door handle sealing screws. Move to opposite side of refrigerator door, as shown. See Graphic 4.
5. Remove door handle hole plug and discard. See Graphic 7. Replace on opposite side with the door handle hole plug provided in the Reversibility Kit located in the crisper.
6. Remove door stop. Move to opposite side of refrigerator door, as shown. See Graphic 5.
7. Position refrigerator handle on opposite side of the refrigerator door, as shown. See Graphic 6. First, drive top two screws in handle first. Align lower portion of handle and drive bottom screw into handle.
8. Tighten all screws. Set aside refrigerator door until bottom hinge is installed on refrigerator.
9. Replace screw cover. See Graphic 6.

Style 2 - Contour Door Models

Graphics follow these instructions.



Door Hinge Hole Plug



Cabinet Hinge Hole Plug



Setscrew



Door Stop Screw



Dome Cap



Dome Cap Washer



Shoulder Screw



Flat-Head Handle Screw



Shoulder Screw Washer

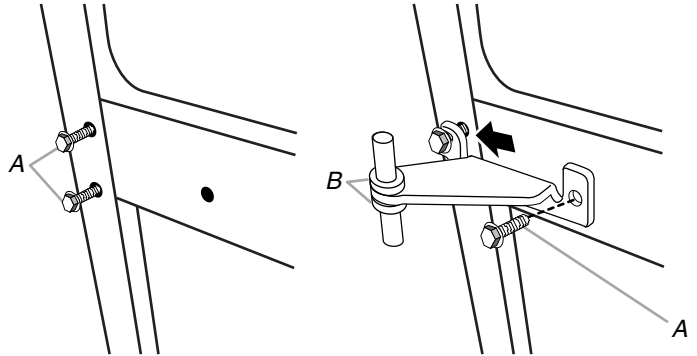


Door Handle Hole Plug

Cabinet

1. Remove the three dome caps and screws from handle side and move them to opposite side. See Graphic 1-1.
2. Using the three $\frac{5}{16}$ " hex-head hinge screws, insert two screws halfway into the holes, leaving space to insert the center hinge.
3. Slide the center hinge, from the right, onto the screws. Insert the third screw, and tighten all screws completely.

NOTE: Make sure the washers are in place on both the top and bottom pins of the center hinge.



A. $\frac{5}{16}$ " Hex-head hinge screws

B. Washers

4. Remove cabinet hinge hole plugs from the cabinet top and move them to opposite side hinge holes, as shown. See Graphic 1-2.

Freezer Door

1. Remove the freezer door handle. Using a $\frac{1}{8}$ " hex key, loosen the setscrew located on the side of the handle. Pull the handle straight out from the door. Keep all parts together. See Graphic 2.
2. Remove the brand badge using the plastic tool (provided). Replace it with the badge provided in the Reversibility Kit located inside the crisper. For proper placement, see the Brand Badge Placement template (the last page of this manual).

NOTES:

- To avoid scratching the finish, do not use a sharp or metallic object to pry the brand badge from the door.
 - Rub a small amount of liquid dish soap over any adhesive residue with your fingers. Rinse the door with warm water and dry with a soft cloth.
3. Remove door stop. Move to opposite side of freezer door, as shown. See Graphic 4.
 4. Reinstall freezer handle on opposite side of the freezer door, as shown. See Graphic 2.
 5. Tighten all screws. Set aside door until hinges and refrigerator compartment door are in place.

Refrigerator Door

1. Remove the refrigerator door handle. Using a 1/8" hex key, loosen the setscrew located on the side of the handle. Pull the handle straight out from the door. Keep all parts together. See Graphic 6.
2. Remove door hinge hole plug from refrigerator door. Move to opposite side hinge hole, as shown. See Graphic 3.
3. Remove door handle hole plug and discard. See Graphic 7. Replace on opposite side with the door handle hole plug provided in the Reversibility Kit located in the crisper.
4. Remove door stop. Move to opposite side of refrigerator door, as shown. See Graphic 4.
5. Reinstall refrigerator handle on opposite side of the refrigerator door, as shown. See Graphic 6.
6. Tighten all screws. Set aside refrigerator door until bottom hinge is installed on refrigerator.

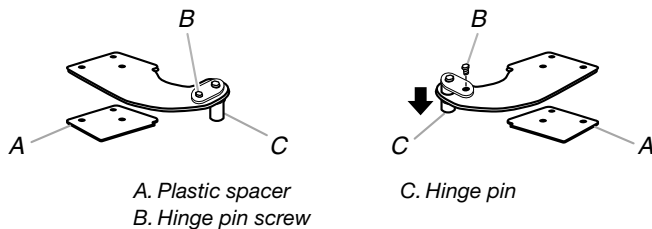
Replace Doors and Hinges

NOTE: Graphic may be reversed if door swing is reversed.

1. Replace the parts for the bottom hinge, as shown. Tighten screws. Replace the refrigerator door.
NOTE: Provide additional support for the doors while the hinges are being moved. Do not depend on the door magnets to hold the doors in place while you are working.
2. Measure the distance from the bottom of the refrigerator door to the floor. The distance should be approximately 3 1/2" (88 mm).
NOTE: If necessary, loosen the bottom hinge, without removing the screws. Adjust the door to the correct height and fully tighten the screws.
3. Assemble the parts for the center hinge, as shown, and then tighten all screws. See Center Hinge graphic. Replace the freezer door.
4. Assemble the parts for the top hinge, as shown. See Top Hinge graphic. Do not tighten screws completely.

Contour Door Models Only:

- Remove the screw attaching the hinge pin to the hinge. Turn the hinge over so that it is pointing in the opposite direction.
- Place the plastic spacer beneath the hinge so that it will be between the hinge and the cabinet, making sure the holes are aligned.



- Fasten the top hinge to the opposite side of the cabinet, inserting the screws only halfway, so you will be able to replace and align the freezer door later.
5. Line up the doors so that the bottom of the freezer door aligns evenly with the top of the refrigerator door. Tighten all screws.
NOTE: The distance between the doors should be approximately 5/8" (16 mm).

Final Steps

1. Check all holes to make sure that hole plugs and screws are in place. Reinstall top hinge cover. See Top Hinge graphic.
2. Remove the cover from the base grille. Move the cover to the opposite side.
3. Align the clips on the base grille with the screws on the bottom of the cabinet. Push the base grille toward the cabinet until it is flush.

⚠ WARNING



Electrical Shock Hazard

Plug into a grounded 3 prong outlet.

Do not remove ground prong.

Do not use an adapter.

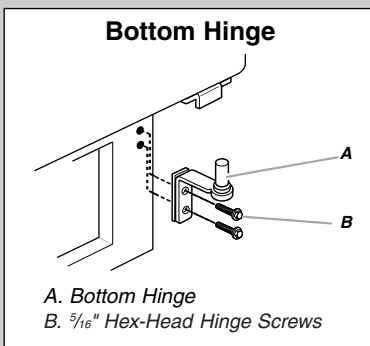
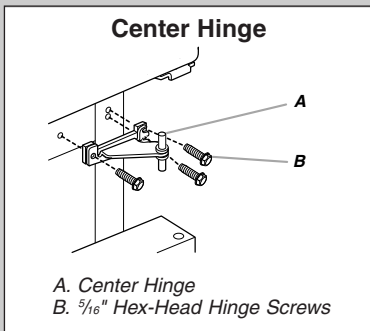
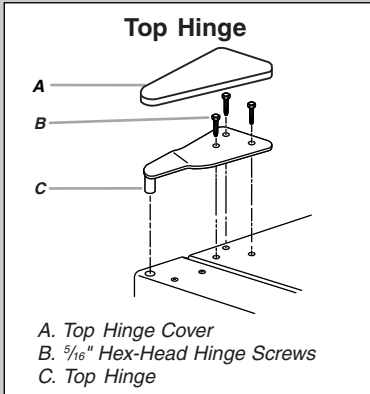
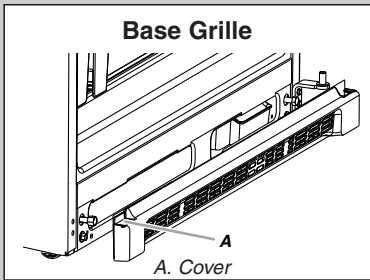
Do not use an extension cord.

Failure to follow these instructions can result in death, fire, or electrical shock.

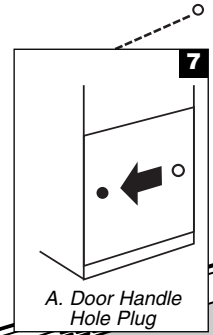
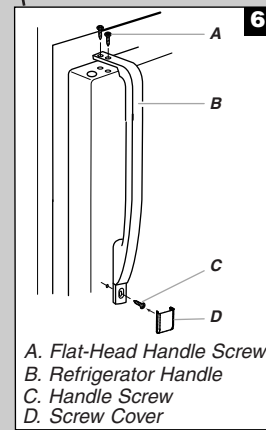
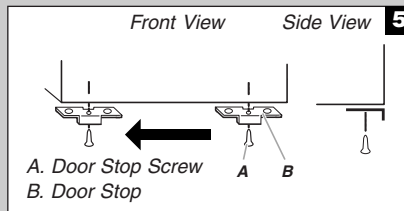
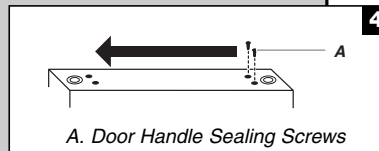
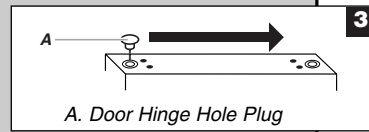
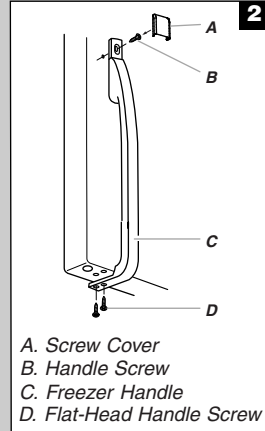
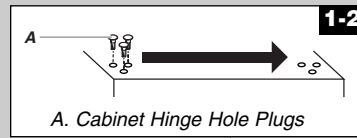
4. Plug into a grounded 3 prong outlet.
5. Reset the controls. See "Using the Control(s)."
6. Return all removable door parts to doors and food to refrigerator.

Style 1 - Standard

Door Removal & Replacement

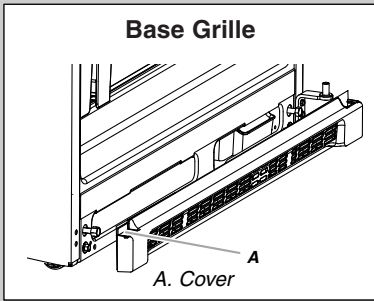


Door Swing Reversal (optional)

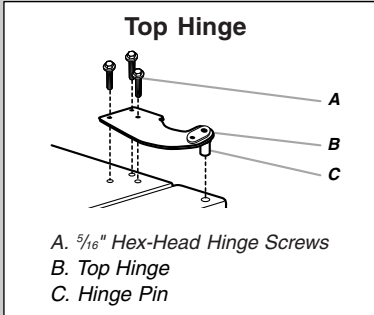


Door Removal & Replacement

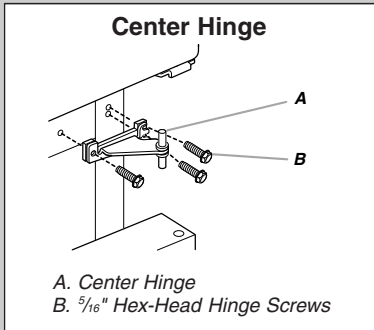
Base Grille



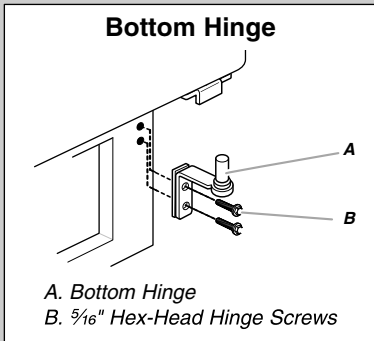
Top Hinge



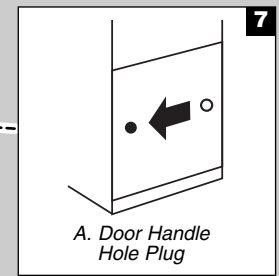
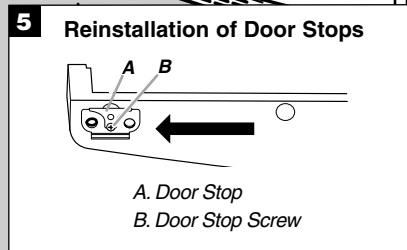
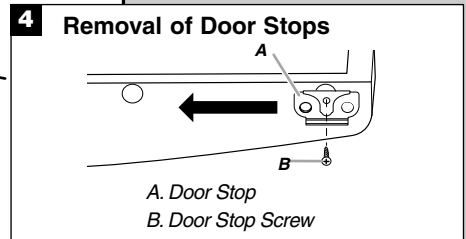
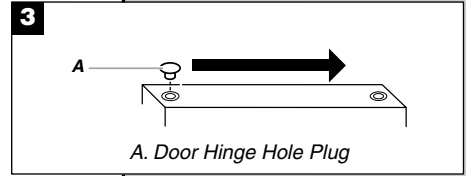
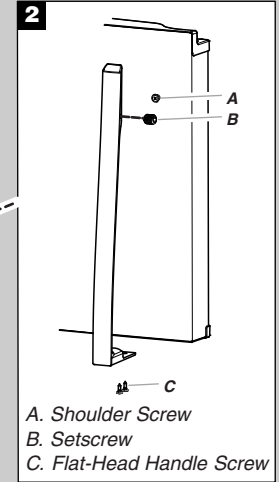
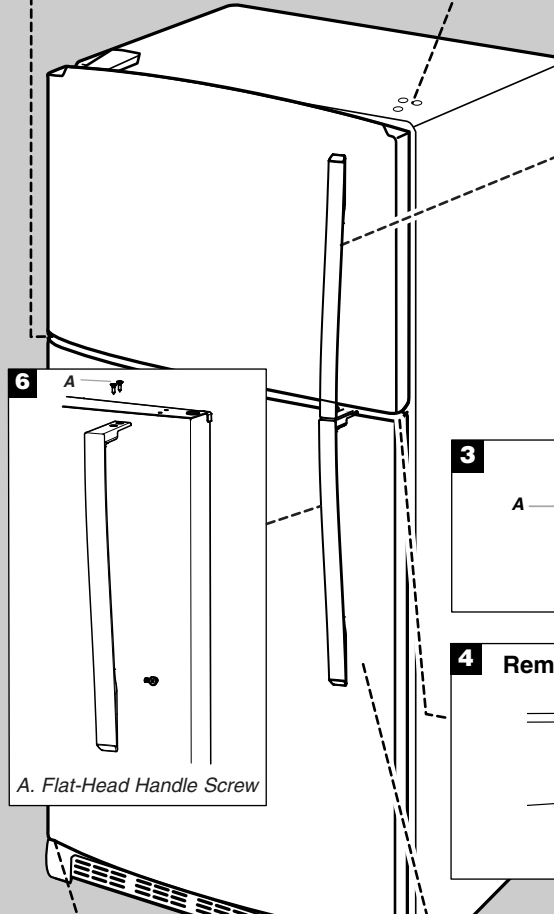
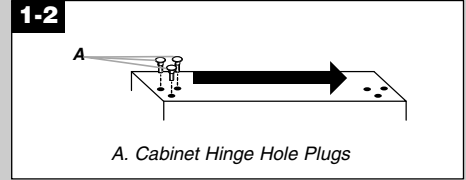
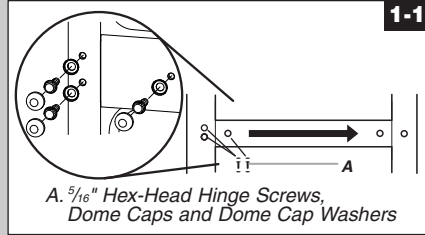
Center Hinge



Bottom Hinge



Door Swing Reversal (optional)



Reversibility Kit Instructions

If your model came with a Reversibility kit, please use the Brand Badge Placement template and the following instructions to install the Brand Badge on the opposite side of the freezer door.

Parts Included:

- Brand badge removal tool
- Brand badge template (on last page)
- Door handle hole plug

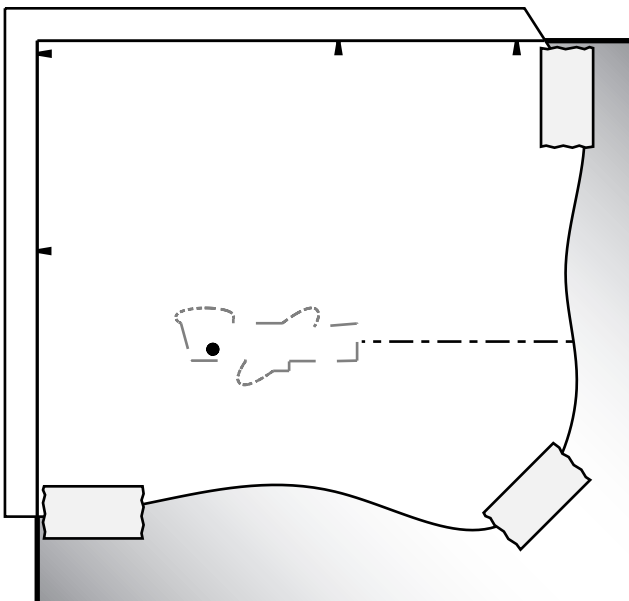
Tools Needed:

- Scissors
- Masking tape

Freezer Door

1. Using the removal tool (provided), remove the brand badge from the freezer door by lifting up the right-hand side and peeling the badge away from the door from right to left.
NOTE: To avoid scratching the door, do not use a sharp or metallic object to pry the brand badge from the door.
2. Rub a small amount of liquid dish soap over any adhesive residue with your fingers. Rinse the door with warm water and dry with a soft cloth.
3. Cut the template along the dotted lines that match the shape of the brand badge.
4. Align the edges of the template with the side and top of the freezer door and tape the template to the door.

NOTE: When the template is correctly aligned, the hole in the door, where the handle was, will be within the cutout of the template, as shown.



5. Using the cutout as a guide, press the brand badge onto the freezer door making sure that the hole is completely covered.
6. Slowly remove the template.

Adjust the Doors

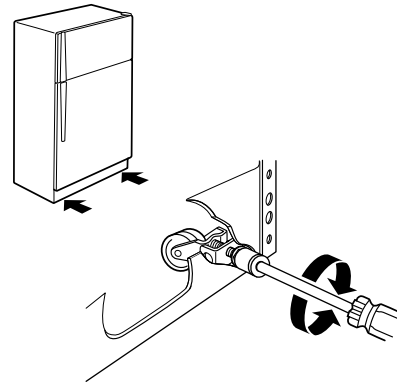
IMPORTANT: To comply with American Disabilities Act (ADA) guidelines, fully retract the rollers into the cabinet to lower the refrigerator.

Door Closing

Your refrigerator has two front adjustable rollers – one on the right and one on the left. If your refrigerator seems unsteady or you want the doors to close easier, adjust the refrigerator's tilt using the following instructions:

1. Remove the base grille. See the Base Grille graphic in "Refrigerator Doors." The two leveling screws are part of the front roller assemblies, which are at the base of the refrigerator on either side.
2. Use a socket driver to adjust the leveling screws. Turn the leveling screw to the right to raise that side of the refrigerator or turn the leveling screw to the left to lower that side. It may take several turns of the leveling screws to adjust the tilt of the refrigerator.

NOTE: Having someone push against the top of the refrigerator takes some weight off the leveling screws and rollers which makes it easier to adjust.



3. Open both doors again to make sure they close as easily as you like and that they stay closed. If not, tilt the refrigerator slightly more to the rear by turning both leveling screws to the right. It may take several more turns.

NOTE: To keep the refrigerator level, you should turn both leveling screws the same amount.

4. Replace the base grille.

Door Aligning

If the space between your doors looks uneven, you can adjust it using the following instructions:

1. Depending on your model, remove the top hinge cover. Loosen the top hinge screws using a $\frac{5}{16}$ " socket or wrench.
2. Have someone hold the door in place or put a spacer between the doors while you tighten the top hinge screws.
3. Replace the top hinge cover, if removed in Step 1.

REFRIGERATOR FEATURES

Your model may have some or all of these features.

Important information to know about glass shelves and covers:

Do not clean glass shelves or covers with warm water when they are cold. Shelves and covers may break if exposed to sudden temperature changes or impact, such as bumping. Tempered glass is designed to shatter into many small, pebble-size pieces. This is normal. Glass shelves and covers are heavy. Use both hands when removing them to avoid dropping.

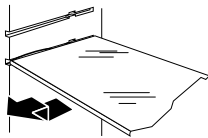
Refrigerator Shelves

The shelves in your refrigerator are adjustable to match your individual storage needs.

Storing similar food items together in your refrigerator and adjusting the shelves to fit different heights of items will make finding the exact item you want easier. It will also reduce the amount of time the refrigerator door is open, and save energy.

To remove and replace a shelf:

1. Remove items from the shelf.
2. Slide the shelf straight out to the stop.
3. Depending on your model, lift back or front of the shelf past the stop. Slide shelf out the rest of the way.
4. Replace the shelf by sliding the back of the shelf into the track in the wall of the cabinet.
5. Guide the front of the shelf into the shelf track. Be sure to slide the shelf in all the way.

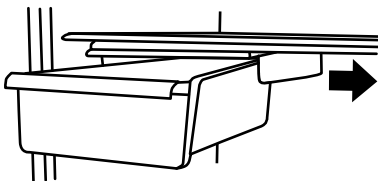


Deli Drawer

To remove and replace the deli drawer:

1. Slide deli drawer out to the stop.
2. Lift front of deli drawer with one hand while supporting bottom of drawer with other hand. Slide drawer out the rest of the way.
3. Replace the drawer by sliding it back in fully past the drawer stop.

NOTE: The deli drawer moves sideways on the shelf to allow for flexible positioning.



Meat Storage Guide

Store most meat in original wrapping as long as it is airtight and moisture-proof. Rewrap if necessary. See the following chart for storage times. When storing meat longer than the times given, freeze the meat.

Fresh fish or shellfish..... use same day as purchased
Chicken, ground beef, variety meats (liver) 1-2 days
Cold cuts, steaks/roasts 3-5 days
Cured meats 7-10 days
Leftovers - Cover leftovers with plastic wrap, aluminum foil, or plastic containers with tight lids.

Crisper

Crisper Drawers

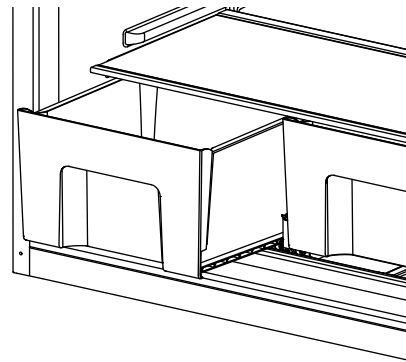
To remove and replace the crisper drawer:

1. Slide the crisper drawer straight out to the stop. Lift the front and slide the drawer out the rest of the way.
2. Replace the drawer by sliding the drawer in fully past the stop.

Crisper Cover

To remove and replace the crisper cover:

1. Remove the crisper(s).
2. Pull the glass straight out.
3. Replace the glass by pushing it straight in.



Crisper Humidity Control

You can control the amount of humidity in the moisture-sealed crisper. Adjust the control to any setting between LOW and HIGH. LOW (open) lets moist air out of the crisper for best storage of fruits and vegetables with skins.

- Fruit: Wash, let dry and store in refrigerator in plastic bag or crisper. Do not wash or hull berries until they are ready to use. Sort and keep berries in original container in crisper, or store in a loosely closed paper bag on a refrigerator shelf.
- Vegetables with skins: Place in plastic bag or plastic container and store in crisper.

HIGH (closed) keeps moist air in the crisper for best storage of fresh, leafy vegetables.

- Leafy vegetables: Wash in cold water, drain and trim or tear off bruised and discolored areas. Place in plastic bag or plastic container and store in crisper.

FREEZER FEATURES

Your model may have some or all of these features.

Important information to know about glass shelves and covers:

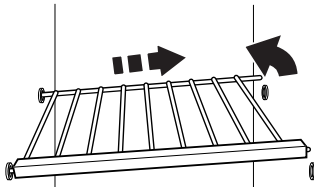
Do not clean glass shelves or covers with warm water when they are cold. Shelves and covers may break if exposed to sudden temperature changes or impact, such as bumping. Tempered glass is designed to shatter into many small, pebble-size pieces. This is normal. Glass shelves and covers are heavy. Use both hands when removing them to avoid dropping.

Wire Freezer Shelf (on some models)

To remove and replace a wire shelf:

1. Remove the shelf by lifting the entire shelf slightly and moving it all the way to the left-hand side. Tilt the right-hand side up and out of the shelf supports.
2. Replace the shelf by inserting the left-hand end all the way into the shelf supports. Then, lower the right-hand end of the shelf and insert it into the shelf supports.

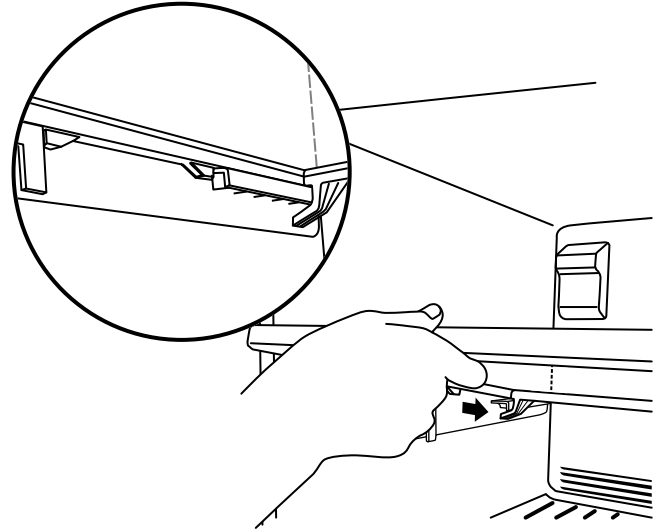
NOTE: The shelf should lower slightly and lock into place. If the shelf does not appear stable, make sure both ends of the shelf are inserted into the shelf supports.



Glass Freezer Shelf (on some models)

To remove and replace a glass shelf:

1. Lift the front of the shelf to raise the shelf tabs up and out of the opening in each shelf track. Slide the shelf out the rest of the way.
2. Replace the shelf by tilting the back end downward to align the back shelf tab under the track on each side of the freezer. Gently push the shelf into the freezer until the two center shelf tabs are positioned within the opening in each track. Lower the shelf to rest on the shelf tracks.



Frozen Food Storage Guide

Storage times will vary according to the quality and type of food, the type of packaging or wrap used (should be airtight and moisture-proof), and the storage temperature. Seal the package or container securely to avoid taste and odor transfer throughout the product. Ice crystals inside a sealed package are normal. This simply means that moisture in the food and air inside the package have condensed, creating ice crystals.

Put no more unfrozen food into the freezer than will freeze within 24 hours (no more than 2 to 3 lbs of food per cubic foot [907 to 1,350 g per L] of freezer space). Leave enough space in the freezer for air to circulate around packages. The freezer door must close tightly.

NOTE: For more information on preparing food for freezing, check a freezer guide or reliable cookbook.

DOOR FEATURES

Your model may have some or all of these features.

Door Rails

The door rails may be removed for easier cleaning.

Snap-on Door Rails (on some models)

To remove and replace the rails:

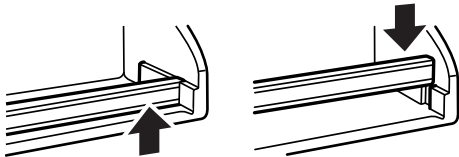
1. Depending on your model, remove the rails by pushing in slightly on the front of the bracket while pulling out on the inside tab. Repeat these steps for the other end.
2. Replace the rails by aligning the ends of the brackets with the buttons on the sides of the door liner. Firmly snap bracket and assembly onto the tabs above the shelf, as shown.



Drop-in Door Rails (on some models)

To remove and replace the rails:

1. Remove the rails by pulling straight up on each end of the rail.
2. Replace the rails by sliding the shelf rail into the slots on the door and pushing the rail straight down until it stops.

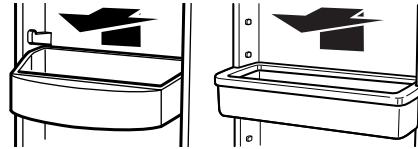


Door Bins

(on some models)

To remove and replace the bins:

1. Remove the bin by lifting it and pulling it straight out.
2. Replace the bin by sliding it in above the desired support and pushing it down until it stops.

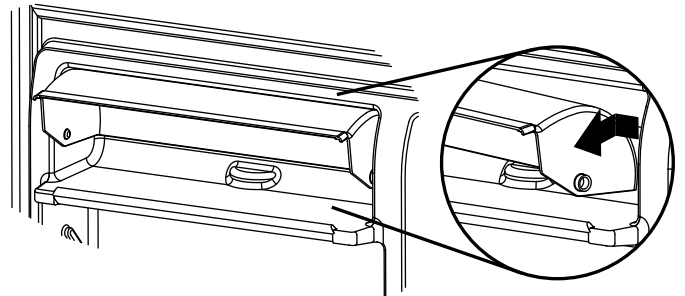


Utility Compartment

The utility compartment may be removed for easier cleaning.

To remove and replace the utility compartment:

1. Remove the utility compartment by squeezing against one side while raising the utility compartment up and pulling it straight out.
2. Replace the utility compartment by positioning one side in the lock and sliding in the opposite side until it stops.



Notes

INSTRUCTIONS D'INSTALLATION ET MANUEL D'UTILISATION

Réfrigérateur superposé

SÉCURITÉ DU RÉFRIGÉRATEUR

Votre sécurité et celle des autres est très importante.

Nous donnons de nombreux messages de sécurité importants dans ce manuel et sur votre appareil ménager. Assurez-vous de toujours lire tous les messages de sécurité et de vous y conformer.



Voici le symbole d'alerte de sécurité.

Ce symbole d'alerte de sécurité vous signale les dangers potentiels de décès et de blessures graves à vous et à d'autres.

Tous les messages de sécurité suivront le symbole d'alerte de sécurité et le mot "DANGER" ou "AVERTISSEMENT". Ces mots signifient :

⚠ DANGER

Risque possible de décès ou de blessure grave si vous ne suivez pas immédiatement les instructions.

⚠ AVERTISSEMENT

Risque possible de décès ou de blessure grave si vous ne suivez pas les instructions.

Tous les messages de sécurité vous diront quel est le danger potentiel et vous disent comment réduire le risque de blessure et ce qui peut se produire en cas de non-respect des instructions.

IMPORTANTES INSTRUCTIONS DE SÉCURITÉ

AVERTISSEMENT : Pour réduire les risques d'incendie, de choc électrique ou des blessures lors de l'utilisation du réfrigérateur, prendre quelques précautions fondamentales, y compris les suivantes :

- Brancher l'appareil sur une prise à 3 alvéoles reliée à la terre.
- Ne pas enlever la broche de liaison à la terre.
- Ne pas utiliser un adaptateur.
- Ne pas utiliser un câble de rallonge.
- Débrancher la source de courant électrique avant l'entretien.
- Replacer pièces et panneaux avant de faire la remise en marche.
- Enlever les portes de votre vieux réfrigérateur.
- Utiliser un produit de nettoyage ininflammable.
- Garder les matériaux et les vapeurs inflammables, telle que l'essence, loin du réfrigérateur.
- Utiliser deux ou plus de personnes pour déplacer et installer le réfrigérateur.
- Débrancher le réfrigérateur avant l'installation de la machine à glaçons (seulement pour modèles prêts à recevoir une machine à glaçons).

CONSERVEZ CES INSTRUCTIONS

Avertissements de la proposition 65 de l'État de Californie :

AVERTISSEMENT : Ce produit contient au moins un produit chimique connu par l'État de Californie pour être à l'origine de cancers.

AVERTISSEMENT : Ce produit contient au moins un produit chimique connu par l'État de Californie pour être à l'origine de malformations et autres déficiences de naissance.

Mise au rebut appropriée de votre vieux réfrigérateur

⚠ AVERTISSEMENT

Risque de suffoquer

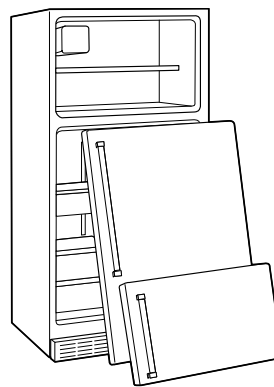
Enlever les portes de votre vieux réfrigérateur.

Le non-respect de cette instruction peut causer un décès ou des lésions cérébrales.

IMPORTANT : L'emprisonnement et l'étouffement des enfants ne sont pas un problème du passé. Les réfrigérateurs jetés ou abandonnés sont encore dangereux, même s'ils sont laissés abandonnés pendant "quelques jours seulement". Si vous vous débarrassez de votre vieux réfrigérateur, veuillez suivre les instructions suivantes pour aider à éviter les accidents.

Avant de jeter votre vieux réfrigérateur ou congélateur :

- Enlever les portes.
- Laisser les tablettes en place de sorte que les enfants ne puissent pas y pénétrer facilement.



Renseignements importants à propos de la mise au rebut des fluides réfrigérants :

Mettre le réfrigérateur au rebut conformément à la réglementation fédérale et locale. Les fluides réfrigérants doivent être évacués par un technicien certifié et agréé par l'EPA conformément aux procédures établies.

INSTRUCTIONS D'INSTALLATION

Déballage du réfrigérateur

⚠ AVERTISSEMENT

Risque du poids excessif

Utiliser deux ou plus de personnes pour déplacer et installer le réfrigérateur.

Le non-respect de cette instruction peut causer une blessure au dos ou d'autre blessure.

Déplacement de votre réfrigérateur :

Votre réfrigérateur est lourd. Lors du déplacement de votre réfrigérateur pour le nettoyage ou un entretien ou réparation, veiller à recouvrir le plancher avec du carton ou un panneau de fibres dures pour éviter qu'il ne subisse tout dommage. Toujours tirer le réfrigérateur tout droit lors de son déplacement. Ne pas incliner le réfrigérateur d'un côté ou de l'autre ni le "faire marcher" en essayant de le déplacer car le plancher pourrait être endommagé.

Enlèvement des matériaux d'emballage

- Enlever le ruban adhésif et la colle des surfaces du réfrigérateur avant de le mettre en marche. Frotter une petite quantité de savon liquide pour la vaisselle sur l'adhésif avec les doigts. Rincer à l'eau tiède et essuyer.

REMARQUE : Ne pas utiliser d'instruments coupants, d'alcool à friction, de liquides inflammables ou de nettoyants abrasifs pour enlever le ruban adhésif ou la colle. Ces produits peuvent endommager la surface de votre réfrigérateur. Pour plus de renseignements, voir "Sécurité du réfrigérateur".

- Jeter ou recycler tous les matériaux d'emballage.

IMPORTANT : Ne pas enlever l'encart en mousse blanche du retour d'air situé derrière le panneau de commande au plafond du réfrigérateur (sur certains modèles). L'encart fait partie du réfrigérateur et n'est pas un matériau d'emballage. Si l'encart est enlevé, de la glace peut se former en provenance du congélateur et causer la formation de glaçons.

Nettoyage avant l'utilisation

Après avoir enlevé tous les matériaux d'emballage, nettoyer l'intérieur du réfrigérateur avant de l'utiliser. Voir les instructions de nettoyage dans "Entretien du réfrigérateur".

Importants renseignements à savoir au sujet des tablettes et des couvercles en verre :

Ne pas nettoyer les tablettes ou couvercles en verre avec de l'eau tiède quand ils sont froids. Les tablettes et les couvercles peuvent se briser s'ils sont exposés à des changements soudains de température ou à un impact tel que coup brusque. Le verre trempé est conçu pour éclater en d'innombrables pièces minuscules. Ceci est normal. Les tablettes et les couvercles en verre sont lourds. Les saisir à deux mains lors de leur dépose afin d'éviter de les faire tomber.

Exigences d'emplacement

⚠ AVERTISSEMENT



Risque d'explosion

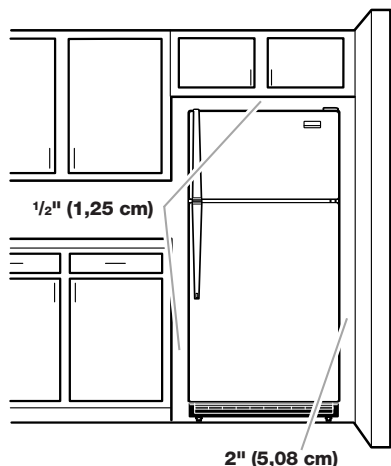
Garder les matériaux et les vapeurs inflammables, telle que l'essence, loin du réfrigérateur.

Le non-respect de cette instruction peut causer un décès, une explosion ou un incendie.

IMPORTANT : Ce réfrigérateur est conçu pour un usage domestique, à l'intérieur uniquement.

Pour obtenir une aération appropriée pour votre réfrigérateur, laisser un espace de 1/2" (1,25 cm) de chaque côté et au sommet. Laisser un espace de 1" (2,54 cm) derrière le réfrigérateur. Si votre réfrigérateur comporte une machine à glaçons, s'assurer qu'un espace additionnel est prévu à l'arrière pour permettre les raccordements des conduits d'eau. En cas d'installation du réfrigérateur près d'un mur fixe, laisser un minimum de 2" (5,08 cm) du côté de la charnière (certains modèles nécessitent davantage d'espace) pour permettre à la porte de s'ouvrir sans obstruction.

REMARQUE : Ce réfrigérateur est conçu pour être utilisé dans un endroit où la température est comprise entre un minimum de 55°F (13°C) et un maximum de 110°F (43°C). La plage de température ambiante idéale pour une performance optimale est comprise entre 60°F (15°C) et 90°F (32°C). Respecter cette plage de température permet aussi de réduire la consommation d'électricité et d'optimiser l'efficacité du refroidissement. Il est recommandé de ne pas installer le réfrigérateur près d'une quelconque source de chaleur, tel un four ou un radiateur.



Spécifications électriques

⚠ AVERTISSEMENT



Risque de choc électrique

Brancher sur une prise à 3 alvéoles reliée à la terre.

Ne pas enlever la broche de liaison à la terre.

Ne pas utiliser un adaptateur.

Ne pas utiliser un câble de rallonge.

Le non-respect de ces instructions peut causer un décès, un incendie ou un choc électrique.

Avant de placer le réfrigérateur à son emplacement final, il est important de vous assurer d'avoir la connexion électrique appropriée.

Méthode recommandée de mise à la terre

Une source d'alimentation de 115 volts, 60 Hz, type 15 ou 20 ampères CA seulement, protégée par fusible et adéquatement mise à la terre, est nécessaire. Il est recommandé d'utiliser un circuit distinct pour alimenter uniquement votre réfrigérateur. Utiliser une prise murale qui ne peut pas être mise hors circuit à l'aide d'un commutateur. Ne pas utiliser un câble de rallonge.

REMARQUE : Avant d'installer ou de nettoyer un quelconque élément, ou de retirer une ampoule d'éclairage, désactiver le refroidissement ou placer la commande (du thermostat, réfrigérateur ou congélateur selon le modèle) à OFF (arrêt) et débrancher ensuite le réfrigérateur de la source d'alimentation électrique. Lorsque vous avez terminé, reconnecter le réfrigérateur à la source d'alimentation électrique et réactiver le refroidissement ou replacer la commande (du thermostat, réfrigérateur ou congélateur selon le modèle) au réglage désiré. Voir "Utilisation des commandes" dans les instructions d'utilisation, le guide d'utilisation, ou le guide d'utilisation et d'entretien.

Spécifications de l'alimentation en eau

Lire toutes les instructions avant de commencer.

Rassembler les outils et pièces nécessaires avant de commencer l'installation. Lire et suivre les instructions fournies avec les outils indiqués ici.

OUTILLAGE NÉCESSAIRE : Tournevis à lame plate, clés plates de 7/16" et 1/2" ou deux clés à molette réglables, tourne-écrou et foret de 1/4", perceuse sans fil.

IMPORTANT :

- Si on doit utiliser le réfrigérateur avant qu'il soit raccordé à la canalisation d'eau, placer la commande de la machine à glaçons à la position OFF (arrêt).
- Toutes les installations doivent être conformes aux exigences des codes locaux de plomberie.
- Utiliser un tube en cuivre et vérifier s'il y a des fuites. Installer les tubes en cuivre seulement à des endroits où la température se maintient au-dessus du point de congélation.

REMARQUE : Votre marchand de réfrigérateurs présente une trousse disponible avec un robinet d'arrêt à étrier de 1/4" (6,35 mm), un raccord et un tube en cuivre. Avant l'achat, s'assurer que le robinet d'arrêt à étrier est conforme à vos codes locaux de plomberie. Ne pas employer de robinet d'arrêt à étrier de 3/16" (4,76 mm) ou de type à percer, ce qui réduit le débit d'eau et cause une obstruction plus facilement.

Pression de l'eau

IMPORTANT : Une alimentation en eau froide avec une pression comprise entre 30 et 120 lb/po² (207 et 827 kPa) est nécessaire pour faire fonctionner la machine à glaçons.

REMARQUE : Si la pression en eau est inférieure aux critères minimaux, cela peut entraîner la formation de glaçons creux ou de forme irrégulière.

Si vous avez des questions au sujet de la pression de votre eau, faire appel à un plombier qualifié agréé.

Alimentation en eau par osmose inverse

Si un système de filtration de l'eau par osmose inverse est raccordé à votre alimentation en eau froide, la pression de l'eau au système doit être d'un minimum de 40 à 60 lb/po² (276 à 414 kPa).

Si la machine à glaçons ne fonctionne toujours pas correctement :

- Vérifier pour voir si le filtre du système d'osmose inverse est bloqué, et le remplacer si nécessaire.
- Laisser le réservoir du système d'osmose inverse se remplir après une utilisation intense.

Raccordement de la canalisation d'eau

Lire toutes les instructions avant de commencer.

IMPORTANT : Si on doit mettre le réfrigérateur sous tension avant qu'il soit raccordé à la canalisation d'eau, placer la commande de la machine à glaçons à la position OFF (arrêt).

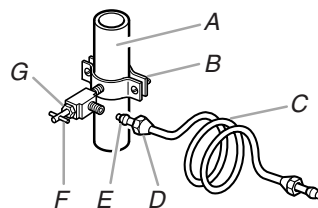
Raccordement à une canalisation d'eau

1. Débrancher le réfrigérateur ou déconnecter la source de courant électrique.
2. FERMER le robinet principal d'arrivée d'eau. OUVRIR le robinet de puisage le plus proche pendant une période suffisante pour que la canalisation d'eau se vide.
3. Trouver une canalisation d'eau froide verticale de 1/2" à 1/4" (1,25 cm à 3,18 cm) près du réfrigérateur.

IMPORTANT :

- Assurez-vous qu'il s'agit d'un conduit d'eau froide.
 - Un conduit horizontal fonctionnera, mais percer par le dessus de la canalisation et non pas par le dessous. Ainsi, l'eau ne risquera pas d'arroser la perceuse. Ceci empêche également les sédiments qu'on trouve normalement dans l'eau de s'accumuler dans le robinet.
4. Pour déterminer la longueur du tube en cuivre, il faut mesurer la distance entre le point de connexion inférieur gauche à l'arrière du réfrigérateur et la canalisation d'eau. Ajouter une longueur de 7 pi (2,1 m) pour permettre le déplacement du réfrigérateur pour le nettoyage. Utiliser un tube en cuivre de 1/4" (6,35 mm) de diamètre extérieur. Veiller à ce que le tube soit coupé d'équerre aux deux extrémités.

5. À l'aide d'une perceuse sans fil, percer un trou de 1/4" dans le tuyau de canalisation d'eau froide choisi.

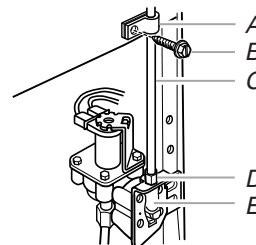


- A. Canalisation d'eau froide
B. Bride de tuyau
C. Tube en cuivre
D. Écrou de compression
E. Bague de compression
F. Robinet d'arrêt
G. Écrou de serrage

6. Fixer le robinet d'arrêt sur la canalisation d'eau froide avec la bride de tuyau. Vérifier que le raccord de sortie du robinet est bien engagé dans le trou de 1/4" percé dans la canalisation et que la rondelle d'étanchéité est placée sous la bride de tuyau. Serrer l'écrou de serrage. Serrer lentement et uniformément les vis de la bride de tuyau afin que la rondelle forme une jonction étanche. Ne pas serrer excessivement car ceci pourrait provoquer l'écrasement du tube en cuivre.
7. Enfiler l'écrou et la bague de compression du raccord sur le tube en cuivre comme on le voit sur l'illustration. Insérer l'extrémité du tube tout droit et aussi loin que possible dans l'ouverture de sortie du robinet. Visser l'écrou de compression sur l'ouverture de sortie avec une clé à molette. Ne pas serrer excessivement.
8. Placer le bout libre du tube dans un contenant ou évier et OUVRIR le robinet principal d'arrivée d'eau; laisser l'eau s'écouler par le tube jusqu'à ce que l'eau soit limpide. FERMER le robinet principal d'arrivée d'eau. Enrouler le tube en cuivre en spirale.

Raccordement au réfrigérateur

1. Débrancher le réfrigérateur ou déconnecter la source de courant électrique.
2. Connecter le tube en cuivre au robinet d'arrivée d'eau en utilisant un écrou et une bague de compression tel qu'illustré. Serrer l'écrou de compression. Ne pas serrer excessivement.
3. Utiliser la bride du tube à l'arrière du réfrigérateur pour fixer le tube au réfrigérateur tel qu'illustré. Ceci aide à éviter d'endommager le tube lorsque le réfrigérateur est poussé contre le mur.
4. OUVRIR le robinet d'arrêt.
5. Inspecter pour rechercher les fuites. Serrer tous les raccords (y compris les raccords de la valve d'entrée d'eau) ou les écrous qui coulent.



- A. Bride de tube
B. Vis de bride de tube
C. Tube en cuivre
D. Écrou de compression
E. Valve d'entrée d'eau

6. La machine à glaçons est équipée d'un filtre à eau incorporé. Si la qualité de l'eau distribuée localement nécessite un deuxième filtre à eau, l'installer dans la canalisation d'eau de 1/4" (6,35 mm) à l'une ou l'autre extrémité de la canalisation. On peut obtenir un tel filtre à eau chez le marchand d'appareils électroménagers le plus proche.

⚠ AVERTISSEMENT



Risque de choc électrique

Brancher sur une prise à 3 alvéoles reliée à la terre.

Ne pas enlever la broche de liaison à la terre.

Ne pas utiliser un adaptateur.

Ne pas utiliser un câble de rallonge.

Le non-respect de ces instructions peut causer un décès, un incendie ou un choc électrique.

1. Brancher sur une prise à 3 alvéoles reliée à la terre.

REMARQUE : Attendre 24 heures pour produire la première quantité de glaçons. Jeter les trois premières quantités de glaçons produites. Attendre 3 jours pour que le bac à glaçons se remplisse entièrement.

Portes du réfrigérateur

Outillage Nécessaire :

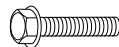
- Clé à douille avec douille hexagonale de 5/16"
- Clé plate de 5/16"
- Tournevis Phillips n° 2
- Couteau à mastic plat de 2"
- Tournevis à lame plate

IMPORTANT :

- Avant de commencer, tourner la commande du réfrigérateur à OFF (arrêt). Débrancher le réfrigérateur ou déconnecter la source de courant électrique.
- Retirer les aliments et tout balconnet de la porte du réfrigérateur.
- Si l'utilisateur souhaite uniquement enlever et réinstaller les portes, voir les sections "Démontage des portes et des charnières" et "Réinstallation des portes et des charnières".
- Selon le modèle, le réfrigérateur peut comporter des portes standard (**Style 1**) ou contour (**Style 2**). Pour inverser le sens d'ouverture de la porte, suivre les instructions concernant le style de porte adéquat.

REMARQUE : On peut acheter un ensemble d'inversion du sens d'ouverture qui comprend une nouvelle insigne de la marque ainsi que des bouchons d'obturation.

- Toutes les illustrations mentionnées dans les instructions suivantes sont incluses plus loin dans cette section après "Étapes finales".



Vis de charnière à tête hexagonale de 5/16"

1. Débrancher le réfrigérateur ou déconnecter la source de courant électrique.
2. Fermer la porte du réfrigérateur; maintenir les deux portes fermées jusqu'au moment où on est prêt à les séparer de la caisse de l'appareil.
REMARQUE : Prévoir un support additionnel des portes pendant le déplacement des charnières. La force d'attraction des aimants des portes ne suffit pas à les maintenir en place.
3. Enlever les pièces de la charnière supérieure - voir l'illustration de la charnière supérieure. Soulever la porte du congélateur pour la séparer de la caisse.
4. Enlever les pièces de la charnière centrale - voir l'illustration de la charnière centrale. Soulever la porte du réfrigérateur pour la séparer de la caisse.
5. Extraire la grille de la base de la partie inférieure avant du réfrigérateur.
6. Enlever les pièces de la charnière inférieure - voir l'illustration de la charnière inférieure.

Inversion des portes (facultatif)

IMPORTANT : Si l'on souhaite inverser la position des portes pour pouvoir les ouvrir dans la direction opposée, suivre les étapes suivantes. Si l'on ne souhaite pas inverser le sens d'ouverture des portes, voir "Réinstallation des portes et des charnières".

Style 1 - Modèles avec porte standard

Les illustrations suivent ces instructions.



Vis de butée de la porte



Bouchon obturateur de la poignée de la porte



Vis de scellement de la poignée de la porte



Bouchon d'obturation de charnière de porte



Vis de la poignée à tête plate



Bouchon d'obturation de charnière de caisse



Chapeau bombé



Rondelle de chapeau bombé

Caisse

1. Enlever les trois chapeaux bombés et les vis du côté poignée et les transférer du côté opposé. Voir l'illustration 1-1.
2. Enlever les bouchons d'obturation des trous de la charnière au sommet de la caisse; transférer ceux-ci dans les trous de charnière du côté opposé comme illustré. Voir l'illustration 1-2.

Porte du congélateur

1. Enlever le couvre-vis. Voir l'illustration 2.
2. Enlever la poignée de porte du congélateur tel qu'illustré. Conserver toutes les pièces ensemble. Voir l'illustration 2.
3. Enlever le bouchon d'obturation du trou de charnière de la porte du congélateur. Le transférer dans le trou de charnière du côté opposé tel qu'illustré. Voir l'illustration 3.
4. Enlever l'insigne de la marque à l'aide de l'outil en plastique (fourni). Le remplacer par l'insigne fourni dans l'ensemble d'inversion situé dans le bac à légumes. Pour le placer correctement, voir le gabarit de placement de l'insigne de la marque (en dernière page de ce manuel).

REMARQUES :

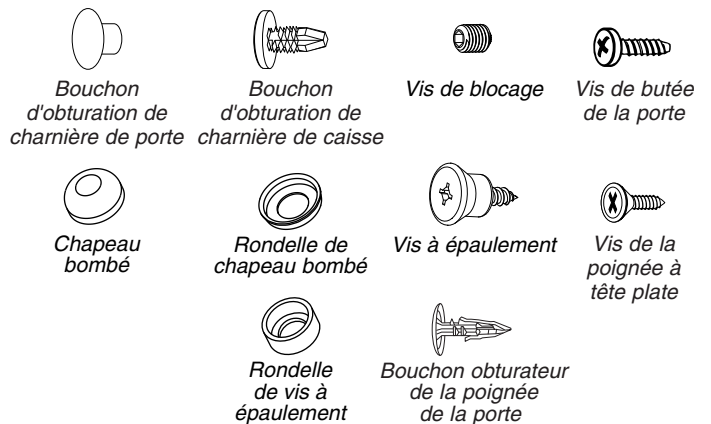
- Afin d'éviter d'érafler la finition, ne pas utiliser d'objet pointu ou métallique pour arracher l'insigne de la marque de la porte.
 - Frotter une petite quantité de savon liquide à vaisselle sur les résidus d'adhésif avec les doigts. Rincer la porte à l'eau tiède et sécher avec un chiffon doux.
5. Enlever la butée de porte. La transférer du côté opposé du réfrigérateur tel qu'illustré. Voir l'illustration 5.
 6. Positionner la poignée du congélateur du côté opposé de la porte du congélateur tel qu'illustré. Voir l'illustration 2. Insérer d'abord les deux vis du bas dans la poignée. Aligner la partie supérieure de la poignée et insérer la vis supérieure dans la poignée.
 7. Serrer toutes les vis. Conserver la porte à part jusqu'à la mise en place des charnières et de la porte du compartiment de réfrigération.
 8. Réinstaller le couvre-vis. Voir l'illustration 2.

Porte du réfrigérateur

1. Enlever le couvre-vis. Voir l'illustration 6.
2. Enlever la poignée du réfrigérateur tel qu'illustré. Conserver toutes les pièces ensemble. Voir l'illustration 6.
3. Enlever le bouchon d'obturation du trou de charnière de la porte du réfrigérateur. Le transférer dans le trou de charnière du côté opposé tel qu'illustré. Voir l'illustration 3.
4. Enlever les vis d'obturation de poignée de la porte. La transférer du côté opposé du réfrigérateur tel qu'illustré. Voir l'illustration 4.
5. Enlever les bouchons d'obturation de la poignée de porte et les jeter. Voir l'illustration 7. Les remplacer du côté opposé par les bouchons d'obturation de poignée de porte fournis dans l'ensemble d'inversion situé dans le bac à légumes.
6. Enlever la butée de porte. La transférer du côté opposé du réfrigérateur tel qu'illustré. Voir l'illustration 5.
7. Positionner la poignée du réfrigérateur du côté opposé de la porte du réfrigérateur tel qu'illustré. Voir l'illustration 6. Insérer d'abord les deux vis du haut dans la poignée. Aligner la partie inférieure de la poignée, puis visser la vis inférieure dans la poignée.
8. Serrer toutes les vis. Conserver la porte du réfrigérateur à part jusqu'à ce que la charnière inférieure soit installée sur le réfrigérateur.
9. Réinstaller le couvre-vis. Voir l'illustration 6.

Style 2 - Modèles avec porte contour

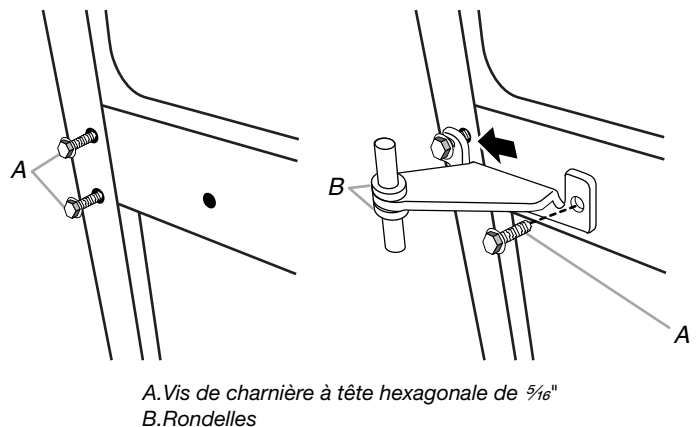
Les illustrations suivent ces instructions.



Caisse

1. Enlever les trois chapeaux bombés et les vis du côté poignée et les transférer du côté opposé. Voir l'illustration 1-1.
2. À l'aide de trois vis de charnière à tête hexagonale de $\frac{5}{16}$ ", insérer deux vis à moitié dans les trous en laissant suffisamment d'espace pour insérer la charnière centrale.
3. Faire glisser la charnière centrale de droite à gauche sur les vis, insérer la troisième vis et serrer complètement toutes les vis.

REMARQUE : S'assurer que les rondelles sont bien installées sur les axes supérieurs et inférieurs de la charnière centrale.



4. Enlever les bouchons d'obturation des trous de la charnière au sommet de la caisse; transférer ceux-ci dans les trous de charnière du côté opposé comme illustré. Voir l'illustration 1-2.

Porte du congélateur

1. Retirer la poignée du congélateur. Desserrer la vis de blocage située sur le côté de la poignée à l'aide d'une clé hexagonale de $\frac{1}{8}$ ". Tirer sur la poignée tout droit pour l'extraire de la porte. Conserver toutes les pièces ensemble. Voir l'illustration 2.
2. Enlever l'insigne de la marque à l'aide de l'outil en plastique (fourni). Le remplacer par l'insigne fourni dans l'ensemble d'inversion situé dans le bac à légumes. Pour le placer correctement, voir le gabarit de placement de l'insigne de la marque (en dernière page de ce manuel).

REMARQUES :

- Afin d'éviter d'érafler la finition, ne pas utiliser d'objet pointu ou métallique pour arracher l'insigne de la marque de la porte.
- Frotter une petite quantité de savon liquide à vaisselle sur les résidus d'adhésif avec les doigts. Rincer la porte à l'eau tiède et sécher avec un chiffon doux.

3. Enlever la butée de porte. La transférer du côté opposé du congélateur tel qu'illustré. Voir l'illustration 4.
4. Réinstaller la poignée du congélateur du côté opposé de la porte du congélateur tel qu'illustré. Voir l'illustration 2.
5. Serrer toutes les vis. Conserver la porte à part jusqu'à la mise en place des charnières et de la porte du compartiment de réfrigération.

Porte du réfrigérateur

1. Retirer la poignée de la porte du réfrigérateur. Desserrer la vis de blocage située sur le côté de la poignée à l'aide d'une clé hexagonale de 1/8". Tirer sur la poignée tout droit pour l'extraire de la porte. Conserver toutes les pièces ensemble. Voir l'illustration 6.
2. Enlever le bouchon d'obturation du trou de charnière de la porte du réfrigérateur. Le transférer dans le trou de charnière du côté opposé tel qu'illustré. Voir l'illustration 3.
3. Enlever le bouchon d'obturation du trou de la poignée et le jeter. Voir l'illustration 7. Le remplacer du côté opposé par le bouchon d'obturation de poignée de porte fourni dans l'ensemble d'inversion situé dans le bac à légumes.
4. Enlever la butée de porte. La transférer du côté opposé du réfrigérateur tel qu'illustré. Voir l'illustration 4.
5. Réinstaller la poignée du réfrigérateur du côté opposé de la porte du réfrigérateur tel qu'illustré. Voir l'illustration 6.
6. Serrer toutes les vis. Conserver la porte du réfrigérateur à part jusqu'à ce que la charnière inférieure soit installée sur le réfrigérateur.

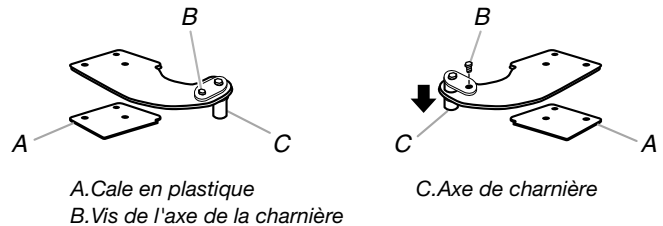
Réinstallation des portes et charnières

REMARQUE : Si on inverse le sens d'ouverture de la porte, considérer l'image symétrique.

1. Replacer les pièces de la charnière inférieure tel qu'illustré. Resserrer les vis. Replacer la porte du réfrigérateur.
REMARQUE : Prévoir un support additionnel des portes pendant le déplacement des charnières. La force d'attraction des aimants des portes ne suffit pas à les maintenir en place.
2. Mesurer la distance entre le bas de la porte du réfrigérateur et le plancher. Cette distance doit être d'environ 3 1/2" (88 mm).
REMARQUE : Si nécessaire, desserrer la charnière inférieure sans retirer les vis, ajuster la hauteur de la porte et serrer complètement les vis.
3. Assembler les pièces de la charnière centrale tel qu'illustré et serrer les vis. Voir l'illustration de la charnière centrale. Réinstaller la porte du congélateur.
4. Réunir les pièces de la charnière supérieure tel qu'illustré. Voir l'illustration de la charnière supérieure. Ne pas complètement serrer les vis.

Modèles avec porte contour :

- Ôter la vis fixant l'axe de charnière à la charnière. Retourner la charnière de façon à ce qu'elle soit orientée dans la direction opposée.
- Placer la cale en plastique sous la charnière de façon à ce qu'elle se trouve entre la charnière et la caisse, tout en s'assurant que les trous sont bien alignés.



- Fixer la charnière supérieure sur le côté opposé de la caisse en insérant les vis jusqu'à la moitié seulement, de façon à pouvoir réinstaller et aligner la porte du congélateur plus tard.
5. Aligner correctement les portes au niveau du bas de la porte du congélateur et du sommet de la porte du réfrigérateur. Serrer toutes les vis.

REMARQUE : La distance entre les portes doit être d'environ 5/8" (16 mm).

Étapes finales

1. Inspecter tous les trous afin de vérifier que tous les bouchons d'obturation et vis sont en place. Réinstaller le couvercle de la charnière supérieure. Voir l'illustration de la charnière supérieure.
2. Enlever le couvercle de la grille de la base. Transférer le couvercle du côté opposé.
3. Aligner les attaches de la grille de la base avec les vis du bas de la caisse. Pousser la grille de la base vers la caisse jusqu'à ce qu'elle soit alignée avec celle-ci.

⚠ AVERTISSEMENT



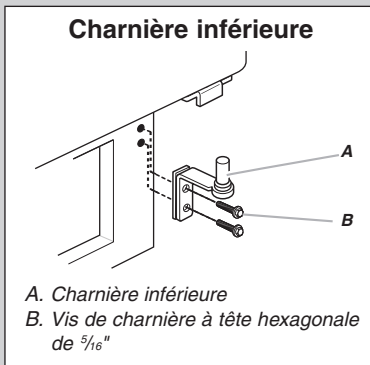
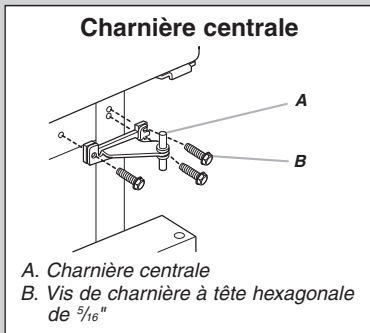
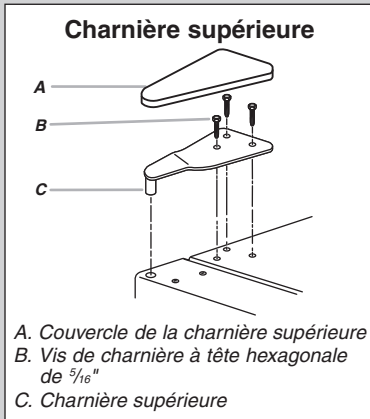
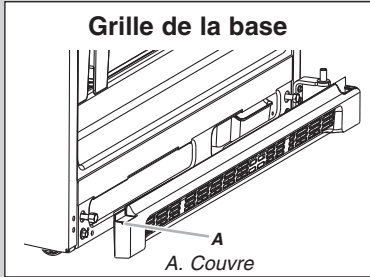
Risque de choc électrique

- Brancher sur une prise à 3 alvéoles reliée à la terre.**
- Ne pas enlever la broche de liaison à la terre.**
- Ne pas utiliser un adaptateur.**
- Ne pas utiliser un câble de rallonge.**
- Le non-respect de ces instructions peut causer un décès, un incendie ou un choc électrique.**

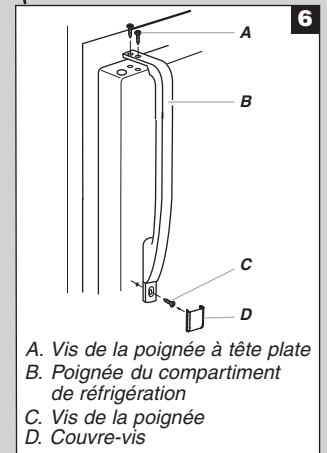
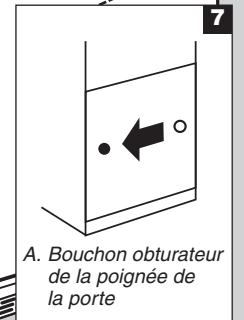
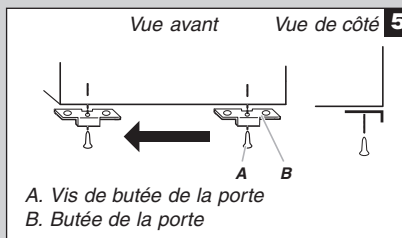
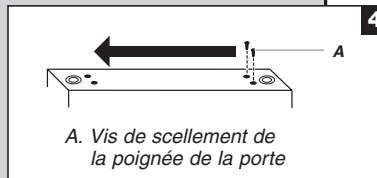
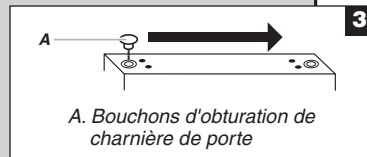
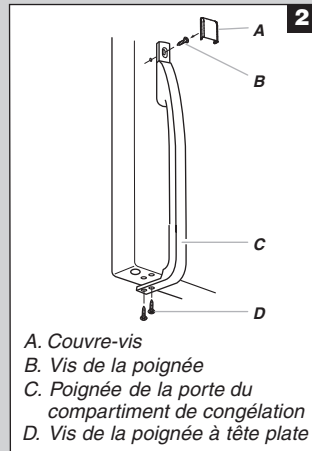
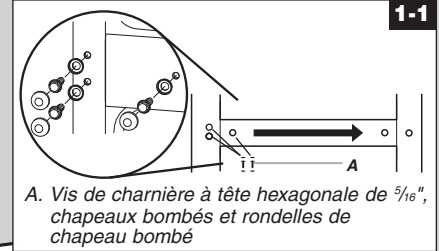
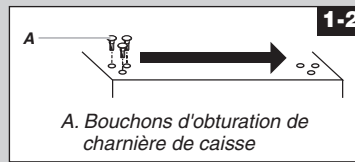
4. Brancher sur une prise de courant à 3 alvéoles, reliée à la terre.
5. Réinitialiser les commandes. Voir "Utilisation de la/des commande(s)".
6. Réinstaller l'ensemble des pièces amovibles dans les portes et les aliments dans le réfrigérateur.

Style 1 - Standard

Démontage et réinstallation de la porte

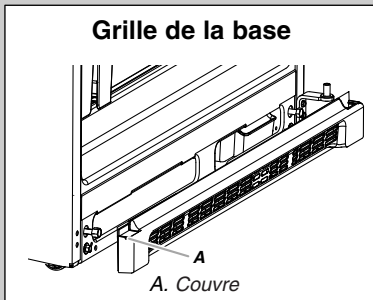


Inversion du sens d'ouverture de la porte (facultatif)

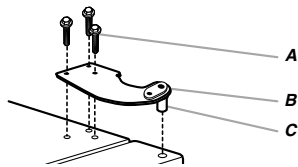


Démontage et réinstallation de la porte

Grille de la base

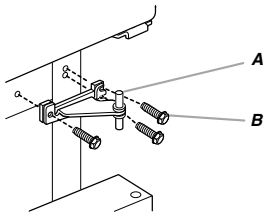


Charnière supérieure



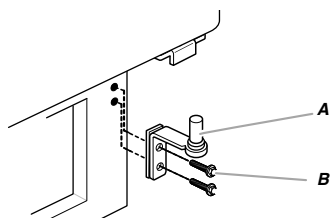
- A. Vis de charnière à tête hexagonale de $\frac{5}{16}$ "
- B. Charnière supérieure
- C. Axe de charnière

Charnière centrale



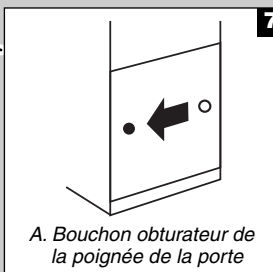
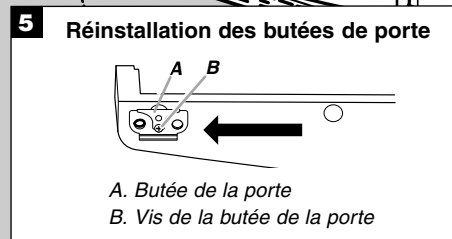
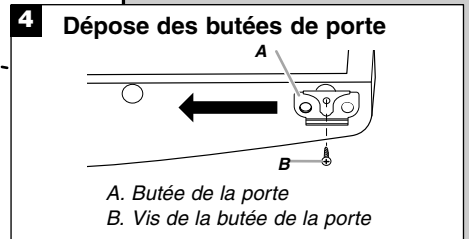
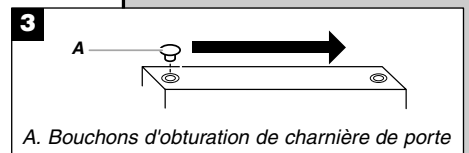
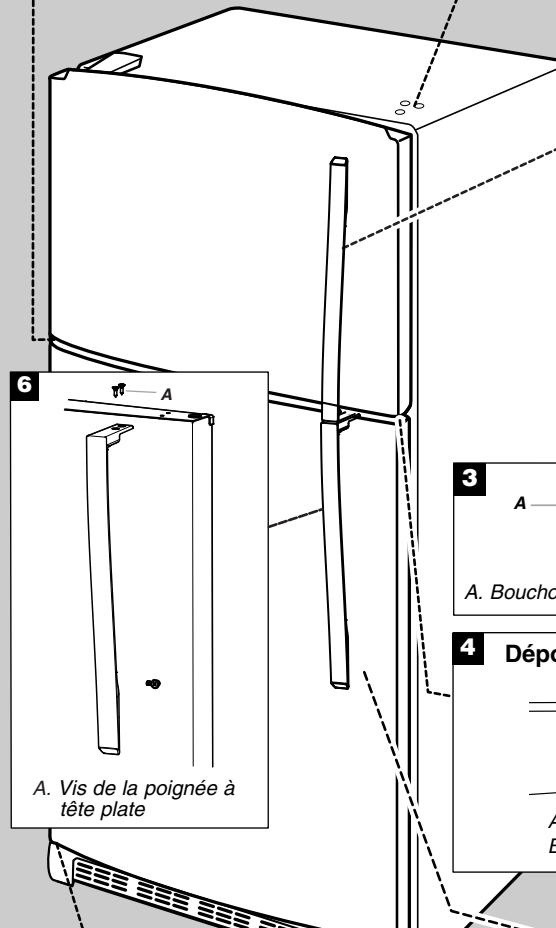
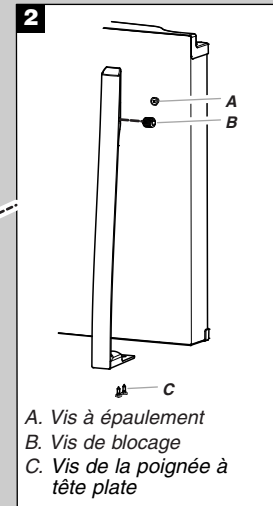
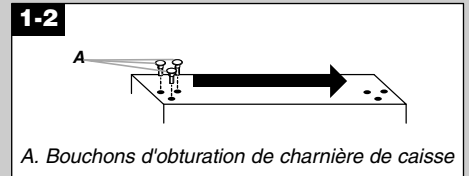
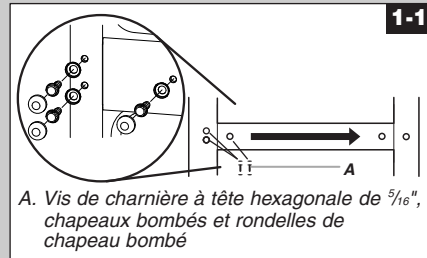
- A. Charnière centrale
- B. Vis de charnière à tête hexagonale de $\frac{5}{16}$ "

Charnière inférieure



- A. Charnière inférieure
- B. Vis de charnière à tête hexagonale de $\frac{5}{16}$ "

Inversion du sens d'ouverture de la porte (facultatif)



Instructions pour l'ensemble d'inversion du sens d'ouverture

Si un ensemble d'inversion du sens d'ouverture est fourni avec le modèle, utiliser le gabarit de positionnement de l'insigne de la marque et les instructions suivantes pour installer l'insigne de la marque du côté opposé de la porte du congélateur.

Pièces fournies :

- Outil de retrait de l'insigne de la marque
- Gabarit de l'insigne de la marque (sur la dernière page)
- Bouchon obturateur de la poignée de porte

Outillage nécessaire :

- Ciseaux
- Ruban adhésif de masquage

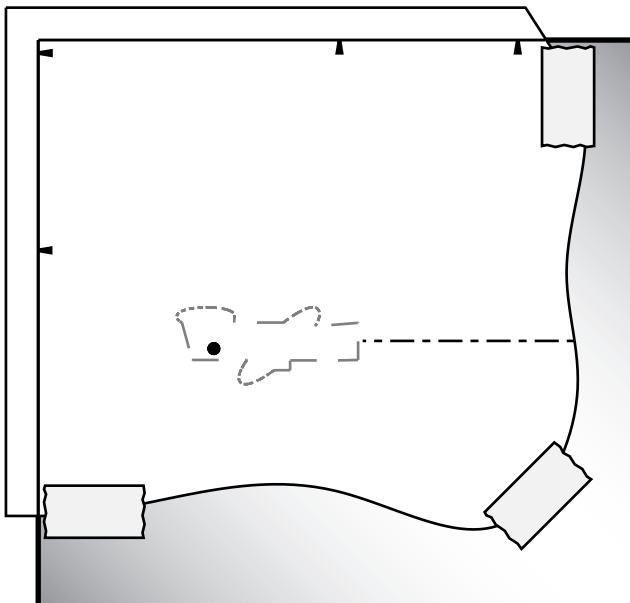
Porte du congélateur

1. A l'aide de l'outil de retrait (fourni), retirer l'insigne de la marque de la porte du congélateur en soulevant le côté droit et en décollant l'insigne de la porte, de droite à gauche.

REMARQUE : Afin d'éviter d'érafler la porte, ne pas utiliser d'objet pointu ou métallique pour arracher l'insigne de la marque de la porte.

2. Frotter une petite quantité de savon liquide à vaisselle sur les résidus d'adhésif avec les doigts. Rincer la porte à l'eau tiède et sécher avec un chiffon doux.
3. Couper le gabarit le long des pointillés qui correspondent à la forme de l'insigne de la marque.
4. Aligner les bords du gabarit avec les parties latérale et supérieure de la porte du congélateur et fixer le gabarit sur la porte à l'aide de ruban adhésif.

REMARQUE : Une fois le gabarit correctement aligné, le trou dans la porte, à l'emplacement de la poignée, se trouvera dans l'ouverture découpée du gabarit, tel qu'illustré.



5. En utilisant cette ouverture comme guide, appuyer l'insigne de la marque sur la porte du congélateur, en veillant à ce que le trou soit entièrement recouvert.
6. Retirer lentement le gabarit.

Ajustement des portes

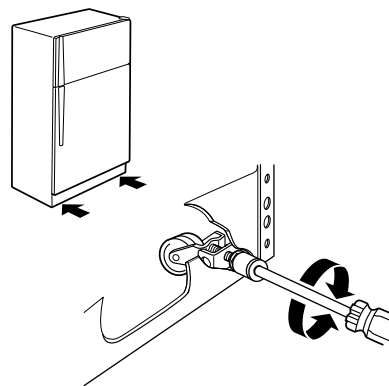
IMPORTANT : Afin de rester en conformité avec les directives de la loi American Disabilities Act (ADA), rétracter complètement les roulettes à l'intérieur de la caisse du réfrigérateur pour abaisser le réfrigérateur.

Fermeture des portes

Votre réfrigérateur présente deux roulettes réglables à l'avant – l'une du côté droit et l'autre du côté gauche. Si votre réfrigérateur semble instable ou si vous désirez que les portes se ferment plus facilement, procéder au réglage de l'inclinaison du réfrigérateur en suivant les instructions ci-dessous :

1. Enlever la grille de la base. Voir l'illustration - Grille de la base dans "Portes du réfrigérateur". Les deux vis de nivellement font partie des roulettes avant qui sont à la base du réfrigérateur d'un côté et de l'autre.
2. Utiliser une clé à douille pour ajuster les vis de nivellement. Tourner la vis de nivellement vers la droite pour soulever le côté du réfrigérateur où elle se trouve ou tourner la vis de nivellement vers la gauche pour abaisser ce même côté. Plusieurs tours des vis de nivellement peuvent être nécessaires pour régler l'inclinaison du réfrigérateur.

REMARQUE : Si une autre personne pousse le haut du réfrigérateur, le poids devient moins lourd sur les vis de nivellement et les roulettes, ce qui rend plus facile l'ajustement des vis.



3. Ouvrir les deux portes de nouveau pour s'assurer qu'elles se ferment aussi facilement que vous le désirez et qu'elles restent fermées. Si ce n'est pas le cas, incliner le réfrigérateur un peu plus vers l'arrière en tournant les deux vis de nivellement vers la droite. Plusieurs tours supplémentaires peuvent être nécessaires.

REMARQUE : Pour que le réfrigérateur reste d'aplomb, il faut appliquer le même nombre de tours aux deux pieds de nivellement.

4. Réinstaller la grille de la base.

Alignement des portes

Si l'espace entre les portes semble inégal, on peut faire le réglage en suivant les instructions ci-dessous :

1. Selon le modèle, enlever le couvre-charnière supérieur. Dégager les vis de la charnière supérieure en utilisant une douille de 5/16" ou une clé à molette.
2. Demander à une personne de tenir la porte en place ou placer une cale entre les portes pendant que vous serrez les vis de la charnière supérieure.
3. Réinstaller le couvre-charnière s'il a été enlevé à l'étape 1.

CARACTÉRISTIQUES DU RÉFRIGÉRATEUR

Votre modèle peut comporter l'ensemble de ces caractéristiques ou certaines d'entre elles.

Importants renseignements à savoir au sujet des tablettes et des couvercles en verre :

Ne pas nettoyer les tablettes ou couvercles en verre avec de l'eau tiède quand ils sont froids. Les tablettes et les couvercles peuvent se briser s'ils sont exposés à des changements soudains de température ou à un impact tel que coup brusque. Le verre trempé est conçu pour éclater en d'innombrables pièces minuscules. Ceci est normal. Les tablettes et les couvercles en verre sont lourds. Les saisir à deux mains lors de leur dépose afin d'éviter de les faire tomber.

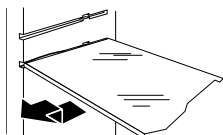
Tablettes du réfrigérateur

Les tablettes du réfrigérateur sont réglables pour s'adapter aux besoins de rangement de l'utilisateur.

Afin de pouvoir trouver plus facilement l'article que l'on cherche, on peut remiser ensemble des aliments semblables dans le réfrigérateur et régler les tablettes pour les adapter aux différentes tailles d'articles. Ceci réduira également la durée d'ouverture de la porte du réfrigérateur et permettra d'économiser de l'énergie.

Retrait et réinstallation de la tablette :

1. Retirer les articles de la tablette.
2. Retirer la tablette en la faisant glisser tout droit jusqu'à la butée.
3. Selon le modèle, soulever l'arrière ou l'avant de la tablette et la retirer au-delà de la butée. Retirer complètement la tablette en la faisant glisser entièrement hors des supports.
4. Réinstaller la tablette en réinsérant de nouveau l'arrière de la tablette dans la rainure de la paroi de la caisse.
5. Guider l'avant de la tablette dans la rainure de tablette. Veiller à insérer complètement la tablette.

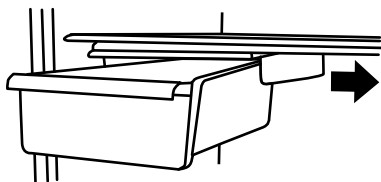


Tiroir pour spécialités alimentaires

Retrait et réinstallation du tiroir pour spécialités alimentaires:

1. Retirer le tiroir pour spécialités alimentaires en le faisant glisser vers l'extérieur jusqu'à la butée.
2. Soulever l'avant du tiroir pour spécialités alimentaires d'une main tout en soutenant la partie inférieure du tiroir de l'autre main. Faire glisser le tiroir complètement vers l'extérieur.
3. Réinstaller le tiroir en réinsérant complètement l'arrière au-delà de la butée.

REMARQUE : Le tiroir à spécialités alimentaires peut être déplacé latéralement sur la tablette pour pouvoir en changer facilement la position.



Guide d'entreposage des viandes

La plupart des viandes peuvent être conservées dans leur emballage original tant que cet emballage est hermétique et à l'épreuve de l'humidité. Emballer de nouveau si nécessaire. Voir le tableau suivant pour les périodes de conservation. Si la viande doit être conservée pour une période plus longue que la durée donnée, faire congeler la viande.

Poissons ou crustacés frais..... consommer le jour de l'achat
Poulet, bœuf haché, abats comestibles (foie) 1 à 2 jours
Charcuterie, steaks/rôtis 3 à 5 jours
Viandes salaisonnées 7 à 10 jours

Restes - Couvrir les restes avec de la pellicule en plastique ou du papier d'aluminium. Il est convenable aussi d'utiliser des contenants en plastique avec couvercle hermétique.

Bac à légumes

Bacs à légumes

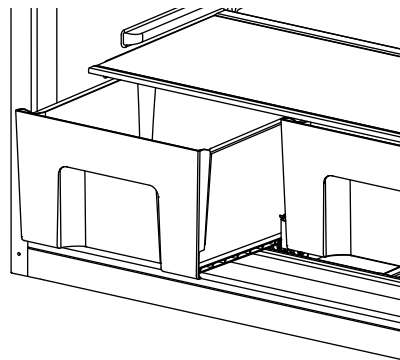
Retrait et réinstallation du bac à légumes :

1. Extraire le bac à légumes en le faisant glisser vers l'extérieur jusqu'à la butée. Soulever le devant et faire glisser le bac vers l'extérieur pour le retirer complètement.
2. Réinstaller le bac en le faisant glisser complètement à sa position au-delà de la butée.

Couvercle du bac à légumes

Dépose et réinstallation du couvercle du bac à légumes :

1. Retirer le/les bac(s) à légumes.
2. Tirer sur le couvercle en verre tout droit vers l'extérieur.
3. Réinstaller le couvercle en verre en le réinsérant.



Commande d'humidité

On peut contrôler le degré d'humidité dans le bac à légumes étanche. La commande peut être ajustée à n'importe quel réglage entre LOW (faible) et HIGH (élevée).

En position LOW (faible) (en position ouverte), le réglage laisse échapper l'air humide du bac à légumes pour mieux conserver les fruits et légumes à pelures.

- Fruits : Laver, laisser sécher et garder au réfrigérateur dans un sac en plastique ou dans le bac à légumes. Ne pas laver ni équeuter les baies avant le moment de leur utilisation. Répartir et garder les baies dans leur contenant original dans le bac à légumes ou les conserver sur une tablette du réfrigérateur dans un sac en papier fermé sans être serré.
- Légumes à pelure : Placer dans un sac ou un contenant en plastique et ranger dans le bac à légumes.

En position HIGH (élevé) (en position fermée), le réglage permet de retenir l'humidité à l'intérieur du bac à légumes pour mieux conserver les légumes à feuilles frais.

- Légumes à feuilles : Laver à l'eau froide, égoutter et couper ou éliminer les sections endommagées et décolorées. Placer dans un sac ou un contenant en plastique et ranger dans le bac à légumes.

CARACTÉRISTIQUES DU CONGÉLATEUR

Votre modèle peut comporter toutes les caractéristiques suivantes ou seulement certaines d'entre elles.

Importants renseignements à savoir au sujet des tablettes et des couvercles en verre :

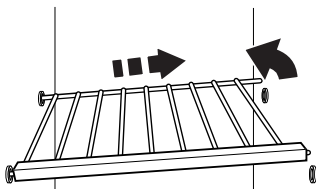
Ne pas nettoyer les tablettes ou couvercles en verre avec de l'eau tiède quand ils sont froids. Les tablettes et les couvercles peuvent se briser s'ils sont exposés à des changements soudains de température ou à un impact tel que coup brusque. Le verre trempé est conçu pour éclater en d'innombrables pièces minuscules. Ceci est normal. Les tablettes et les couvercles en verre sont lourds. Les saisir à deux mains lors de leur dépose afin d'éviter de les faire tomber.

Tablette métallique du congélateur (sur certains modèles)

Retrait et réinstallation d'une tablette métallique :

1. Enlever doucement la tablette en la soulevant légèrement et en la déplaçant entièrement sur le côté gauche. Incliner le côté droit vers le haut et sortir la tablette des supports.
2. Réinstaller la tablette en insérant complètement l'extrémité gauche dans les supports de tablette. Puis abaisser l'extrémité droite de la tablette et l'insérer dans les supports.

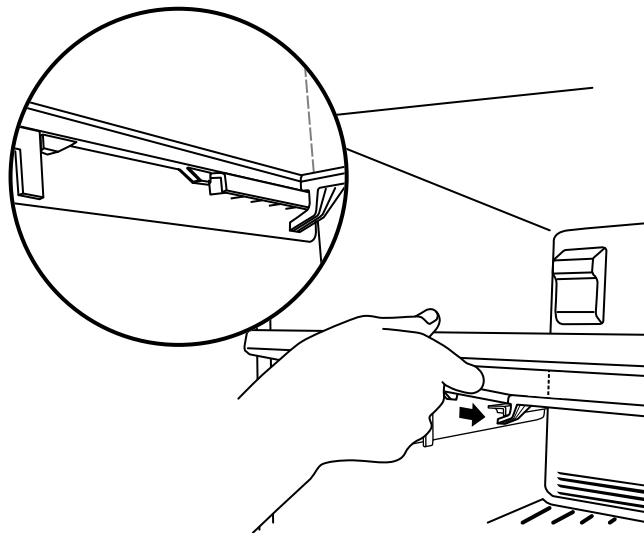
REMARQUE : La tablette doit s'abaisser légèrement et se verrouiller en place. Si la tablette ne semble pas stable, s'assurer que les deux extrémités sont insérées dans les supports de tablette.



Tablette en verre du congélateur (sur certains modèles)

Retrait et réinstallation d'une tablette en verre :

1. Soulever l'avant de la tablette pour soulever les pattes de tablette et les dégager de l'ouverture de chaque rainure de tablette. Retirer complètement la tablette.
2. Réinstaller la tablette en enfonçant la partie arrière pour aligner la patte arrière de tablette sous la rainure située de chaque côté du congélateur. Enfoncer délicatement la tablette dans le congélateur jusqu'à ce que les deux pattes centrales de la tablette se trouvent à l'intérieur de l'ouverture de chaque rainure. Abaisser la tablette pour qu'elle repose sur les rainures de tablette.



Guide de stockage des aliments surgelés

Les périodes de conservation varient selon la qualité et le type d'aliment, le type d'emballage et de pellicule utilisés (doivent être hermétiques et résistants à l'humidité) et la température de remisage. Bien fermer le sachet ou le récipient pour empêcher le transfert de goût et d'odeur dans le produit. Les cristaux de glace à l'intérieur d'un emballage scellé sont normaux. La présence de cristaux signifie simplement que l'humidité dans les aliments et l'air à l'intérieur de l'emballage se sont condensés.

Ne pas placer plus d'aliments non congelés dans le congélateur que la quantité qui congèlera dans l'intervalle de 24 heures (pas plus de 2 à 3 lb d'aliments par pied cube d'espace [907 à 1 350 g par L] dans le congélateur). Laisser assez d'espace dans le congélateur pour permettre la circulation d'air entre les emballages. S'assurer que la porte du congélateur est bien fermée.

REMARQUE : Pour plus de renseignements sur la préparation des aliments pour la congélation, consulter un guide pour congélateur ou un livre de recettes fiable.

CARACTÉRISTIQUES DE LA PORTE

Votre modèle peut comporter l'ensemble de ces caractéristiques ou certaines d'entre elles.

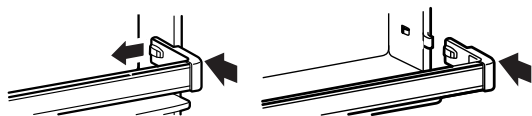
Tringles de porte

Les tringles de porte peuvent être enlevées pour faciliter le nettoyage.

Tringles à emboîter dans la porte (sur certains modèles)

Pour retirer et réinstaller les tringles :

1. Selon votre modèle, retirer les tringles en poussant légèrement sur le devant de la bride tout en tirant sur la languette intérieure. Répéter ces étapes pour l'autre extrémité.
2. Réinstaller les tringles en alignant les extrémités des brides avec les boutons sur les côtés de l'intérieur de la porte. Enclencher fermement les brides et l'ensemble sur les tenons au dessus de l'étagère. Voir l'illustration.

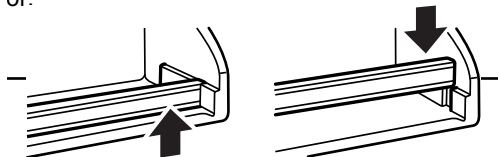


Tringles déposées dans la porte (sur certains modèles)

Pour retirer et réinstaller les tringles :

1. Retirer les tringles en les soulevant à partir de chaque extrémité de la tringle.
2. Réinstaller les tringles en faisant glisser la tringle de la tablette dans les fentes sur la porte et en poussant la tringle jusqu'à l'arrêt.

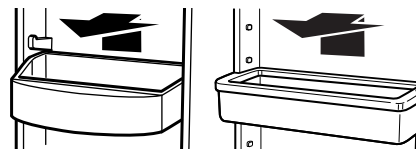
or.



Balconnets de porte (sur certains modèles)

Retrait et réinstallation des balconnets :

1. Retirer le bac en le soulevant et en le tirant tout droit.
2. Réinstaller le bac en le faisant glisser au-dessus du support désiré et en l'enfonçant jusqu'à la butée.

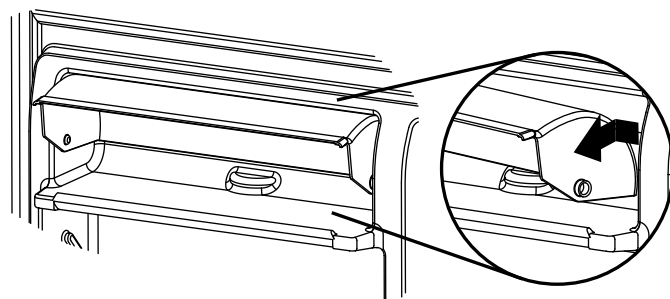


Compartiment utilitaire

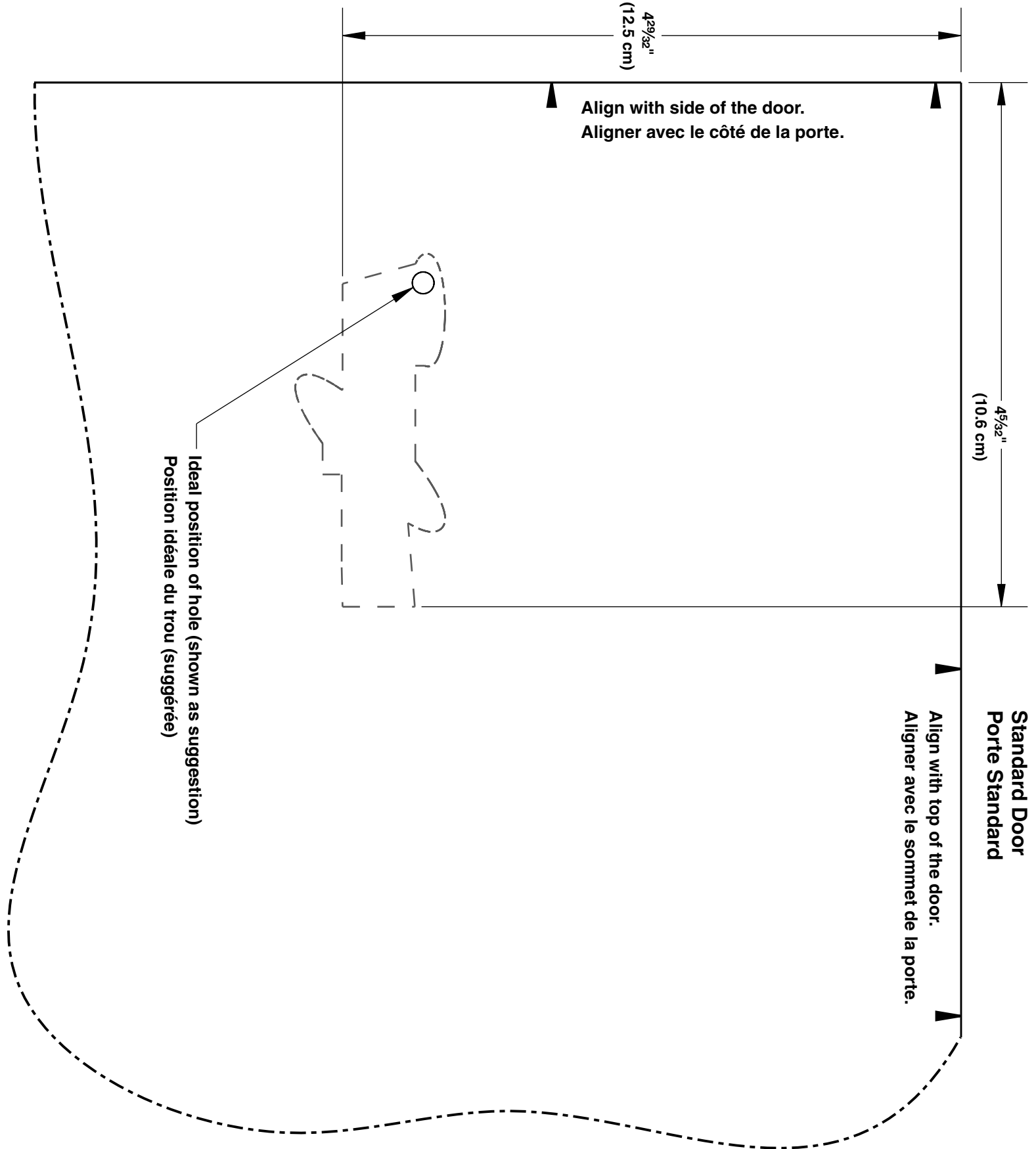
Le compartiment utilitaire peut être enlevé pour faciliter le nettoyage.

Retrait et réinstallation du compartiment utilitaire :

1. Retirer le compartiment utilitaire en pressant l'un des côtés tout en soulevant le compartiment utilitaire et en le tirant tout droit pour le dégager.
2. Réinstaller le compartiment utilitaire en plaçant un côté dans le mécanisme de verrouillage et en faisant coulisser l'autre côté en place jusqu'à la butée.



Brand Badge Placement Template / Gabarit de positionnement de l'insigne de la marque



Contour Door
Porte Contour

5"
(12.7 cm)

2 1/2"
(6.0 cm)

Align with top of the door.
Aligner avec le sommet de la porte.

Align with side of the door.
Aligner avec le côté de la porte.

4 19/32"
(11.7 cm)

5 7/16"
(13.8 cm)

Ideal position of hole (shown as suggestion)
Position idéale du trou (suggérée)

